

101

C O P E N H A G E N



Fungus Table Lamp - Sand

Designed by

Kristian Sofus Hansen &
Tommy Hyldahl

Fungus Table Lamp - Sand

Product Description

With its mushroom shaped design, the Fungus Table Lamp creates a unique illumination in any interior setting. Inspired by 70's design, Fungus is a reinterpretation of futuristic lighting design into a ceramic table lamp. Made from ceramic, Fungus emphasizes the natural beauty of its material, highlighting the tactile and textured ceramic surface.

Fungus comes with a ceramic lampshade placed on top of a metal frame, mounted to a cone shaped lamp base. Everything, except the metal frame, is made of ceramic. As it is a hand glazed nature product, the colours may vary slightly.

Designer Description

Tommy Hyldahl and Kristian Sofus Hansen intertwine their distinct sensibilities to create designs where storytelling, materiality, and timeless form meet in quiet harmony.

With a background in fashion, Tommy brings an intuitive eye for trends, colors, and textures. His process is one of layering histories, blending details and references from past design periods and reimagining them into something fresh and contemporary. Each collection unfolds as a narrative, evolving from concept to creation, with every element contributing to a greater story.

Kristian, who has lived and studied in Japan, seeks to unite Japanese aesthetics with Danish design, creating a characteristic twist on simplicity itself. His work is defined by the search for subtle, original details that elevate each piece with a unique signature. Drawing inspiration from art and sculpture, his creative process unfolds in new and exciting ways, always striving to craft designs that are both functional and timeless.

Together, they craft design that transcends time, poetic yet practical, expressive yet enduring.



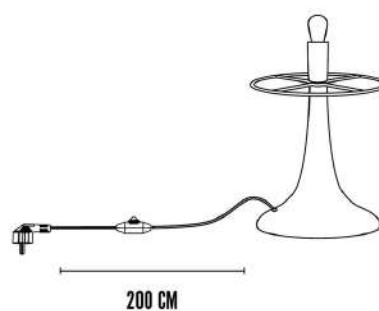
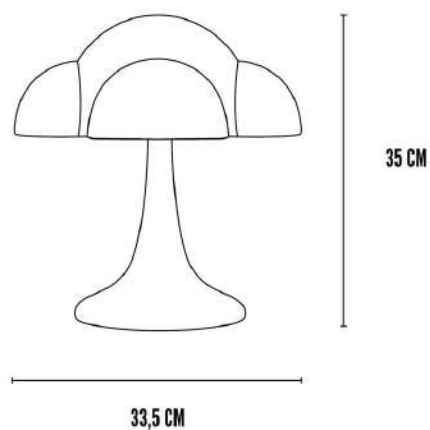
Fungus Table Lamp - Sand

Main

SKU	231021	Product Family	Fungus
Product name	Fungus Table Lamp - Sand	Color	Sand
Product Type	Table Lamp	Size	Regular
		Unit	Piece

Logistics

EAN number	4251501408338	Package - CBM	0.063
Package height in cm	47.00	Package - Weight KG	5.500
Package width in cm	36.50	Tariff Code No	9405299090
Package length in cm	36.50	Country of origin	China
		Quantity of Inner Boxes	1



Fungus Table Lamp - Sand

Product

Materials	Ceramic	Light Source	E14
Item Height in cm	35	Lighting Certification	CE-Certificate
Item width in cm	33.5	Cable Length	2 m
Item length in cm	33.5	Max Watt (W)	8
Net weight in kg	4	Socket	E14 x 1 - 230V
Ceiling Cup Size		IP Rating	20

Led

Color Temperature		Lumen (lm)	N/A
Energy Class	N/A	Illuminant Lifetime (h)	N/A
EPREL No.	N/A	Driver Type	N/A

Fungus Table Lamp - Sand

Family Description Text

With its distinctive mushroom form, the Fungus Table Lamp casts a gentle, atmospheric glow that transforms any interior. Inspired by the playful futurism of 70s design, it reinterprets the era's bold vision through the timeless beauty of ceramic.

The lamp celebrates its material with a richly tactile surface, where every curve and texture reflects the natural elegance of clay. A ceramic shade rests gracefully on a slender metal frame, anchored by a cone-shaped ceramic base, creating a harmonious composition of form and function.

Fungus is more than a lamp. It is a sculptural object that bridges past and present, bringing warmth, character, and artistry into the everyday.

Color Description

Hand-painted in a soft, golden-beige, this light natural tone carries a sunlit warmth. Reminiscent of coastal dunes and bright shores, it adds an airy calm and effortless neutrality. Brush stroke variations enhance the play of light and shade, giving each piece a one-of-a-kind character.

Fungus Table Lamp - Sand

Maintenance Guide Description

Our lamps in hand-painted ceramic are crafted with artisanal detail, where brushstrokes create depth, individuality, and character. To preserve this unique finish, only gentle and minimal care is recommended.

The painted ceramic surface should be cleaned exclusively with a soft, dry microfiber cloth to remove dust. Do not use water, solvents, or cleaning agents, as these may damage the painted surface or alter its texture and colour. Avoid abrasive pads or brushes, Lighting - since they can scratch the finish and disrupt the hand-painted detail.

Always switch off and unplug the lamp before cleaning and keep it away from environments with high humidity or direct water contact. Over time, subtle variations in tone may appear naturally, adding to the authenticity and individuality of each piece.

With simple, careful care, the hand-painted ceramic will retain its expressive character and artisanal beauty, ensuring the lamp remains timeless and unique for years to come.

Materials Description

Ceramic is one of the oldest and most enduring materials, celebrated for its strength, versatility, and timeless beauty. Shaped from natural clay and fired at high temperatures, it achieves a density and durability that make it ideal for both functional and decorative use. Its smooth surface provides the perfect canvas for craftsmanship.

Our ceramic is elevated through hand painting, where layers of pigment are carefully applied by skilled artisans. This process creates subtle variations in tone, texture, and detail, ensuring that no two pieces are ever alike. The result is a material that combines resilience with individuality practical enough for everyday use, yet refined enough to stand as an object of art.

Hand-painted ceramic embodies the harmony of nature, craft, and time: a surface that carries both the permanence of fired clay and the soulful presence of the human hand.