

101

C O P E N H A G E N



Clam Table Lamp - Oxidized

Designed by

Kristian Sofus Hansen &
Tommy Hyldahl

Clam Table Lamp - Oxidized

Product Description

The Clam Table Lamp is a tribute to the harmony of simplicity and the artistry of light. The table lamp, with its two gracefully opposing shades, orchestrates a mesmerizing balance of direct and indirect illumination, while the wall lamp, with its singular shade, casts a poetic and atmospheric glow.

Inspired by the serene aesthetics of Japanese design, each lamp embodies a quiet elegance, where light gently reflects off delicately curved metal screens, infusing the space with warmth and tranquility.

Perfect as a bedside or desk lamp, the Clam Table Lamp provides both functional light for reading and a soft, ambient glow for creating atmosphere. Its sculptural form makes it equally suited for living rooms, sideboards, or console tables, where it doubles as both a lighting source and a decorative statement.

Meticulously crafted, the wall lamp in raw oxidized aluminium ensures a seamless complement to any interior. Hand-brushed with precision, every metal body exudes artisanal sophistication, a true testament to the masterful craftsmanship that defines the Clam Series.

Designer Description

Tommy Hyldahl and Kristian Sofus Hansen intertwine their distinct sensibilities to create designs where storytelling, materiality, and timeless form meet in quiet harmony.

With a background in fashion, Tommy brings an intuitive eye for trends, colors, and textures. His process is one of layering histories, blending details and references from past design periods and reimagining them into something fresh and contemporary. Each collection unfolds as a narrative, evolving from concept to creation, with every element contributing to a greater story.

Kristian, who has lived and studied in Japan, seeks to unite Japanese aesthetics with Danish design, creating a characteristic twist on simplicity itself. His work is defined by the search for subtle, original details that elevate each piece with a unique signature. Drawing inspiration from art and sculpture, his creative process unfolds in new and exciting ways, always striving to craft designs that are both functional and timeless.

Together, they craft design that transcends time, poetic yet practical, expressive yet enduring.



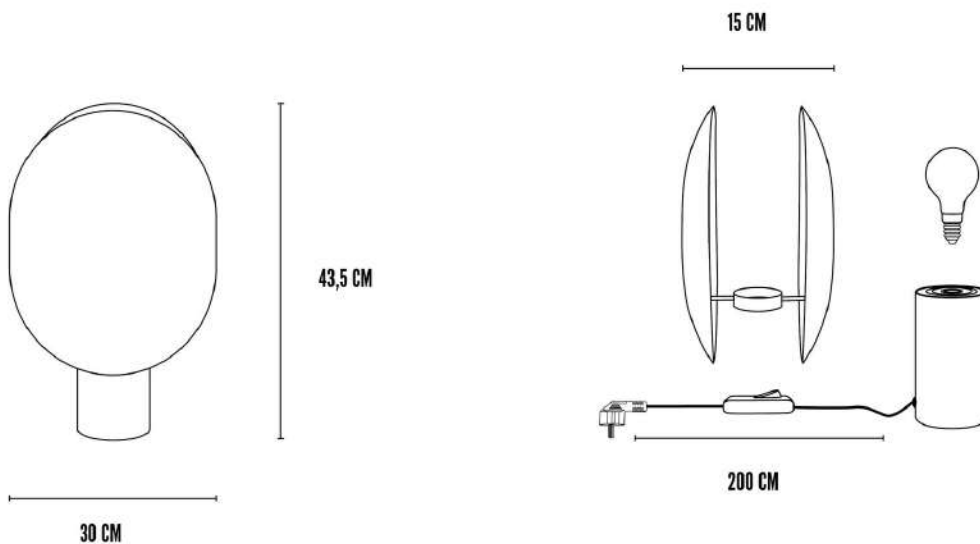
Clam Table Lamp - Oxidized

Main

SKU	110047	Product Family	Clam
Product name	Clam Table Lamp - Oxidized	Color	Oxidized
Product Type	Table Lamp	Size	Regular
		Unit	Piece

Logistics

EAN number	4251501400585	Package - CBM	0.076
Package height in cm	31.00	Package - Weight KG	5.700
Package width in cm	46.00	Tariff Code No	9405299090
Package length in cm	53.00	Country of origin	China
		Quantity of Inner Boxes	1



Clam Table Lamp - Oxidized

Product

Materials	Oxidized Aluminum	Light Source	E14
Item Height in cm	43.5	Lighting Certification	CE-Certificate
Item width in cm	15	Cable Length	2 m
Item length in cm	30	Max Watt (W)	8
Net weight in kg	4.1	Socket	E14 x 1 - 230V
Ceiling Cup Size		IP Rating	20

Led

Color Temperature		Lumen (lm)	N/A
Energy Class	N/A	Illuminant Lifetime (h)	N/A
EPREL No.	N/A	Driver Type	N/A

Clam Table Lamp - Oxidized

Family Description Text

The Clam Series is a tribute to the harmony of simplicity and the poetry of light. The table lamp, with its two gracefully opposing shades, composes a delicate balance of direct and indirect illumination. The wall lamp, with its singular curved shade, offers a softer glow, atmospheric and serene.

Inspired by the quiet beauty of Japanese design, each lamp carries an understated elegance, as light gently reflects across curved aluminium screens, infusing the room with warmth and tranquillity. Every line, every surface, speaks of meticulous attention, a testament to the craftsmanship that gives the Clam Series its timeless presence.

Color Description

Oxidized Aluminium is defined by a raw, industrial character. Through an intense chemical treatment, the surface develops irregular markings that make each piece unique. The finish resembles architectural concrete tactile, dramatic, and alive with texture.

Clam Table Lamp - Oxidized

Maintenance Guide Description

Our lamps finished in oxidized aluminium are crafted to highlight the natural depth and variation of the surface, giving each piece a unique and timeless character. To preserve their beauty, careful and minimal maintenance is essential.

The oxidized surface should be cleaned only with a soft, dry microfiber cloth to remove dust. Do not use water, as moisture may react with the oxidized finish and alter its appearance. Avoid abrasive pads, harsh detergents, solvents, or metal polishes since these can strip away or damage the oxidized layer.

Because the oxidized effect is a living finish, subtle changes in tone and texture may occur naturally over time. This patina is part of the material's character and should be embraced as a sign of its authenticity.

Always switch off and unplug the lamp before cleaning and avoid placing it in areas with high humidity or direct water exposure. With simple, gentle care, the oxidized aluminium will retain its refined depth and natural patina, ensuring the lamp remains expressive and enduring for years to come.

Materials Description

Oxidized aluminium is created through a brief but intense acid bath that transforms the surface into something raw and tactile. Each piece emerges with irregular markings, scars of creation that can never be repeated. The result is a surface that feels industrial and expressive, reminiscent of architectural concrete stark, dramatic, and alive with texture.