

101

C O P E N H A G E N



Snake Wall Lamp - Chrome

Designed by

Kristian Sofus Hansen &
Tommy Hyldahl

Snake Wall Lamp - Chrome

Product Description

The Snake Wall Lamp is a study in movement, an exploration of how light can flow like a living line through space. Inspired by the silent grace of a snake in motion, the design transforms solid metal into a gesture of softness, where curves and bends become expressions of quiet energy.

The form appears to move even when still. Slender pipes twist with sculptural precision, leading toward a refined conic shade that emits a warm, inviting glow. Light diffuses gently, creating an atmosphere that contrasts with the cool tactility of polished metal, balancing softness and precision.

In Chrome, the lamp becomes luminous and reflective. The mirror-like silver surface captures its surroundings with liquid clarity, amplifying both light and form. Sleek and sophisticated, this finish highlights the sculptural movement of the design while adding a crisp, modern edge.

The Snake Wall Lamp in Chrome is ideal for interiors seeking a clean, contemporary expression. Place it in hallways, living spaces, or as a statement bedside lamp, where its reflective surface interacts with natural and artificial light, enhancing both brightness and spatial depth.

Designer Description

Tommy Hyldahl and Kristian Sofus Hansen intertwine their distinct sensibilities to create designs where storytelling, materiality, and timeless form meet in quiet harmony.

With a background in fashion, Tommy brings an intuitive eye for trends, colors, and textures. His process is one of layering histories, blending details and references from past design periods and reimagining them into something fresh and contemporary. Each collection unfolds as a narrative, evolving from concept to creation, with every element contributing to a greater story.

Kristian, who has lived and studied in Japan, seeks to unite Japanese aesthetics with Danish design, creating a characteristic twist on simplicity itself. His work is defined by the search for subtle, original details that elevate each piece with a unique signature. Drawing inspiration from art and sculpture, his creative process unfolds in new and exciting ways, always striving to craft designs that are both functional and timeless.

Together, they craft design that transcends time, poetic yet practical, expressive yet enduring.



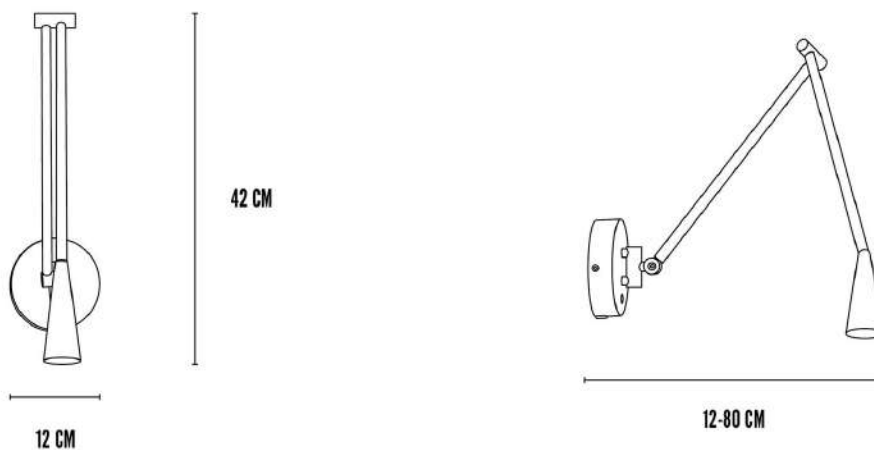
Snake Wall Lamp - Chrome

Main

SKU	262021	Product Family	Snake
Product name	Snake Wall Lamp - Chrome	Color	Chrome
Product Type	Wall Lamp	Size	Regular
		Unit	Piece

Logistics

EAN number	4251501415060	Package - CBM	0.005
Package height in cm	44.00	Package - Weight KG	4.500
Package width in cm	10.00	Tariff Code No	9405199090
Package length in cm	12.00	Country of origin	China
		Quantity of Inner Boxes	4



Snake Wall Lamp - Chrome

Product

Materials	Chrome (Cr III) Plated Aluminium	Light Source	G9
Item Height in cm	42	Lighting Certification	CE-Certificate
Item width in cm	12	Cable Length	None
Item length in cm	12	Max Watt (W)	8
Net weight in kg	3	Socket	G9 x 1 - 230V
Ceiling Cup Size	N/A	IP Rating	20

Led

Color Temperature		Lumen (lm)	N/A
Energy Class	N/A	Illuminant Lifetime (h)	N/A
EPREL No.	N/A	Driver Type	N/A

Snake Wall Lamp - Chrome

Family Description Text

The Snake Collection is a study in movement, an exploration of how light can flow like a living line through space. Inspired by the silent grace of a snake in motion, each piece transforms solid metal into a gesture of softness, where curves and bends become expressions of quiet energy.

The form seems to move even when still. Slender pipes bend and twist with sculptural precision, leading the eye toward refined conic shades that emit a warm, inviting glow. The light diffuses gently, creating an atmosphere that contrasts beautifully with the cool tactility of metal. This balance between hardness and warmth, structure and fluidity, defines the collection's calm yet expressive presence.

Designed to shape both space and mood, the Snake Collection invites light to become part of the architecture, not merely an object but a motion captured in form. Each curve tells a story of transformation, where material becomes movement and illumination becomes emotion. The result is a timeless expression of modern elegance, simple, poised, and quietly alive.

Color Description

Chrome is a sleek, mirror-like silver with liquid clarity, polished to brilliance. It reflects its surroundings with sharp precision, evoking the clarity of liquid metal. Luminous and sophisticated, this finish embodies modernist purity and serves as both a striking highlight and a refined counterbalance to textured tones.

Snake Wall Lamp - Chrome

Maintenance Guide Description

Our lamps finished in Chrome (Cr III) are crafted to reflect light with a mirror-like brilliance. To preserve this clarity and ensure lasting quality, regular and gentle care is essential. The surface should be wiped with a soft, dry microfiber cloth to remove dust and fingerprints, and for deeper cleaning a slightly damp cloth with mild, pH-neutral soap may be used, followed by immediate drying with a clean, lint-free cloth. Avoid abrasive pads, acidic solutions, ammonia-based cleaners, or strong detergents, as these can scratch the surface or dull its mirrored finish.

Always switch off and unplug the lamp before cleaning, and keep it away from high humidity or direct water contact. With simple, consistent care, the Chrome (Cr III) finish will maintain its liquid-metal clarity and sleek, modern presence, ensuring your lamp remains striking and timeless for years to come.

Materials Description

The chrome finish combines technical precision with modernist clarity. Using Decorative Trivalent Chrome Plating (Cr III) on aluminium, the surface is polished to a mirrored brilliance that reflects its surroundings with sharp precision. Sleek and striking, it serves as a counterbalance to textured finishes, capturing light and form like liquid metal while embodying the clean lines of contemporary design.