

101

C O P E N H A G E N



Temple Coffee Table, Low - Chrome / Limestone

Designed by

Kristian Sofus Hansen &
Tommy Hyldahl

Temple Coffee Table, Low - Chrome / Limestone

Product Description

Rich in architectural references, the Temple Coffee Table evokes the elegance of architectural facades, creating a play of tactile and reflective surfaces. Featuring a hollow metal base with a chrome mirror finish, the base interacts with its surroundings and creates the impression of a floating rock.

The table features two staggered blocks, emphasizing a dynamic contrast between tactile and polished surfaces. The tabletop, made from natural limestone, remains a striking contrast to the sleek mirror chrome base. Exuding exceptional craftsmanship, the raw finish each side is made by hand carving, while the smooth top surface is polished by machine and afterwards treated with a water-based sealer for improved durability. The combination of materials brings out both visual depth and balance.

The Temple Coffee Tables is a versatile product suitable for use as coffee tables, side tables, or plinths to display objects. Use alone, multiple together or complement with the tall Temple Coffee Table or the Limestone Podium.

The natural stone top retains its unique characteristics, showcasing subtle imperfections that celebrate the beauty of the material.

Designer Description

Tommy Hyldahl and Kristian Sofus Hansen intertwine their distinct sensibilities to create designs where storytelling, materiality, and timeless form meet in quiet harmony.

With a background in fashion, Tommy brings an intuitive eye for trends, colors, and textures. His process is one of layering histories, blending details and references from past design periods and reimagining them into something fresh and contemporary. Each collection unfolds as a narrative, evolving from concept to creation, with every element contributing to a greater story.

Kristian, who has lived and studied in Japan, seeks to unite Japanese aesthetics with Danish design, creating a characteristic twist on simplicity itself. His work is defined by the search for subtle, original details that elevate each piece with a unique signature. Drawing inspiration from art and sculpture, his creative process unfolds in new and exciting ways, always striving to craft designs that are both functional and timeless.

Together, they craft design that transcends time, poetic yet practical, expressive yet enduring.



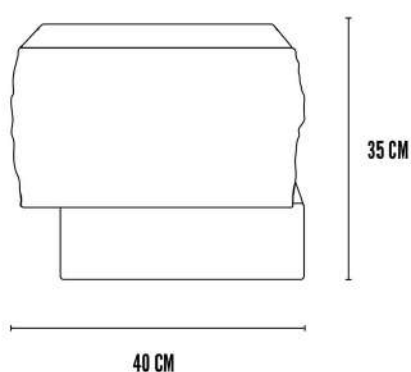
Temple Coffee Table, Low - Chrome / Limestone

Main

SKU	251039	Product Family	Temple
Product name	Temple Coffee Table, Low - Chrome / Limestone	Color	Limestone & Chrome
Product Type	Coffee Table	Size	Low
		Unit	Piece

Logistics

EAN number	4251501412953	Package - CBM	0.091
Package height in cm	41.00	Package - Weight KG	43.500
Package width in cm	46.00	Tariff Code No	6802991000
Package length in cm	48.00	Country of origin	China
Suitable for Courier	Yes	Quantity of Inner Boxes	1



Temple Coffee Table, Low - Chrome / Limestone

Product

Materials	Limestone & Chrome (Cr III)	Net weight in kg	40.5
Item Height in cm	35.00	Space Suitability	Indoor
Item width in cm	42.00	Strength Test	N/A
Item length in cm	40.00	FSC Wood	N/A

Upholstery

Fabric		Cigarette Test - CAL-117
Martindale	N/A	Cigarette Test - EN 1021-1
Colour Fastness to Light		Cigarette Test - BS5852 Part 1
Pilling		Match Flame Test - EN 1021-2
Oeko Tex		Ignition Source 5 (Crib 5) - BS 5852 Part 2
Fire Test Foam	N/A	NF P92-507 - Class M1

Temple Coffee Table, Low - Chrome / Limestone

Family Description Text

The Temple Collection is a meditation on architecture and material, an exploration of how form, light, and texture converse across surfaces. The pieces are imagined as fragments of ruins, as if lifted from a forgotten site and reimagined within the scale of a home. They recall the way ancient walls stand against centuries, worn yet dignified, their surfaces alive with the marks of history.

Two distinct voices shape the collection. One speaks entirely in stone: monolithic, raw yet refined, recalling the timeless solidity of temples sculpted from the earth itself. The other introduces a dialogue of contrasts: a hand carved limestone top resting on a hollow base in polished chrome. Here, gravity and levitation, weight and reflection, permanence and ephemerality are brought into conversation. The mirrored base dissolves into its surroundings, allowing the stone above to appear suspended in air.

The collection is conceived not only as singular objects but as elements in dialogue with one another. Side tables can be paired with the podium, which may also be placed lying down to form a longer, horizontal expression. In these shifting arrangements, the pieces echo the modularity of architecture, adapting while retaining their sculptural presence.

Color Description

This combination balances the organic softness of limestone with the mirrored brilliance of chrome. The limestone's sandy beige depth carries warmth and natural variation, while the chrome reflects with liquid clarity, capturing light and surroundings in sharp contrast. Together, they create a dialogue of earth and metal grounded yet luminous, timeless yet modern.

Temple Coffee Table, Low - Chrome / Limestone

Maintenance Guide Description

This piece combines the organic strength of limestone with the refined brilliance of chrome (Cr III). Both materials require attentive care to preserve their beauty and integrity.

For limestone surfaces, dust regularly with a soft, dry cloth. Clean with a damp cloth and mild, pH-neutral soap when needed, then dry thoroughly to avoid water spots. Because limestone is porous, wipe spills immediately to prevent absorption and staining. Always use coasters, mats, or placemats to protect against heat, liquids, and oils. Avoid acidic or alkaline cleaners, vinegar, citrus, and abrasive pads, which may etch or scratch the stone. For long-term protection, professional sealing is recommended to enhance resistance to stains while maintaining its natural texture.

For chrome (Cr III) accents, wipe with a soft, damp cloth and mild soap, then dry immediately to preserve its reflective finish. Occasional polishing with a clean, dry cloth will help maintain clarity. Avoid abrasive pads or harsh chemicals such as bleach or ammonia, which can scratch or dull the surface.

With mindful care, the combination of limestone's grounded presence and chrome's crisp brilliance will age gracefully, ensuring the piece retains both its natural depth and refined detail for many years.

Materials Description

At the heart of this design is limestone, formed over millennia from ancient organisms and geological forces. Its organic softness allows for sculptural shaping, while subtle variations in tone and texture make each piece unique. Carefully selected through a meticulous sampling process, our limestone reflects both quiet strength and timeless natural beauty.

Accenting this natural presence, chrome (Cr III) introduces a mirror-like clarity achieved through an environmentally responsible plating process. Its crisp, reflective finish contrasts with limestone's grounded warmth, adding precision and contemporary refinement.

Together, limestone and chrome (Cr III) create a dialogue of organic and polished, earthy and architectural resulting in furniture that is both enduring and elevated.