

101

C O P E N H A G E N



Beetle Portable Lamp

Designed by

Kristian Sofus Hansen &
Tommy Hyldahl

Beetle Portable Lamp

Product Description

The Beetle Portable Lamp is a sculptural blend of minimalism and artful elegance, perfect for adding a cozy glow to any space.

Its distinctive design features a curved metal lampshade in a mirror chrome finish, which elegantly rests atop five rectangular marble legs. Crafted from a unique crystalized marble, these legs subtly allow light to seep through, radiating a warm, ambient glow that brings a cozy atmosphere to your surroundings. Inside the lampshade, an integrated LED light with a colour temperature of 2400K gently illuminates the space beneath, enhancing Beetle's charm.

Designed with versatility in mind, Beetle is fully portable, featuring a rechargeable battery and a dimmer with three adjustable light levels, allowing you to customize the mood. Its portability makes it ideal for various spaces around the home, whether perched on a bookshelf, placed in a window, or moved to different spots to cast a cozy glow.

The name Beetle draws from its structure, where the rounded, smooth lampshade rests atop the sturdy marble legs, echoing the iconic form of a beetle. This table lamp captures the essence of 80s minimalist art, delivering a clean, sculptural aesthetic that seamlessly fits in modern interiors.

Designer Description

Tommy Hyldahl and Kristian Sofus Hansen intertwine their distinct sensibilities to create designs where storytelling, materiality, and timeless form meet in quiet harmony.

With a background in fashion, Tommy brings an intuitive eye for trends, colors, and textures. His process is one of layering histories, blending details and references from past design periods and reimagining them into something fresh and contemporary. Each collection unfolds as a narrative, evolving from concept to creation, with every element contributing to a greater story.

Kristian, who has lived and studied in Japan, seeks to unite Japanese aesthetics with Danish design, creating a characteristic twist on simplicity itself. His work is defined by the search for subtle, original details that elevate each piece with a unique signature. Drawing inspiration from art and sculpture, his creative process unfolds in new and exciting ways, always striving to craft designs that are both functional and timeless.

Together, they craft design that transcends time, poetic yet practical, expressive yet enduring.



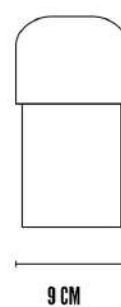
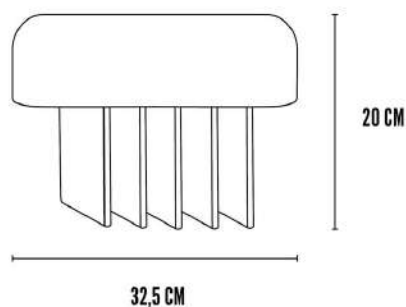
Beetle Portable Lamp

Main

SKU	251020	Product Family	Beetle
Product name	Beetle Portable Lamp	Color	Chrome / Crystallized Marble
Product Type	Table Lamp	Size	Regular
		Unit	Piece

Logistics

EAN number	4251501413318	Package - CBM	0.020
Package height in cm	15.00	Package - Weight KG	3.570
Package width in cm	35.50	Tariff Code No	9405299090
Package length in cm	37.50	Country of origin	China
		Quantity of Inner Boxes	1



Beetle Portable Lamp

Product

Materials	Chrome (Cr III) & Crystallized Marble	Light Source	SMD LED
Item Height in cm	20	Lighting Certification	CE-Certificate
Item width in cm	9	Cable Length	None
Item length in cm	32.3	Max Watt (W)	2
Net weight in kg	3.11	Socket	Inbuilt LED
Ceiling Cup Size		IP Rating	20

Led

Color Temperature	2400	Lumen (lm)	214
Energy Class	None	Illuminant Lifetime (h)	25000
EPREL No.	N/A	Driver Type	Built-in(isolated)

Beetle Portable Lamp

Family Description Text

The Beetle Lamp is a luminous sculpture, where minimalism meets quiet elegance. It transforms light into atmosphere, bringing warmth and intimacy to any space.

A curved chrome shade rests gracefully upon five crystalline marble legs. The stone, veined and unique, allows light to seep through, glowing as though lit from within. Beneath the shell, an integrated LED spreads a soft radiance, heightening Beetle's sculptural presence.

Portable and versatile, Beetle carries its glow wherever it is needed. With a rechargeable battery and three dimmable levels, it adapts effortlessly to mood and moment. Perched on a shelf, placed in a window, or moved through the home, its glow always feels at home.

Its form recalls its name, a polished body poised above marble legs, evoking the timeless silhouette of a beetle. Nostalgic yet contemporary, it channels the purity of 80s minimal art while offering the warmth and adaptability of modern design.

Beetle is more than a lamp. It is light made poetic, sculpture made radiant.

Color Description

This pairing balances the mirrored brilliance of Chrome with the soft translucence of crystallized marble. The chrome reflects with liquid-metal clarity, while the marble gently diffuses light into a warm, ambient glow. Together, they create a dialogue of contrast sleek precision against natural radiance embodying both modern refinement and timeless warmth.

Beetle Portable Lamp

Maintenance Guide Description

Our lamps in Chrome (Cr III) and crystallized marble unite mirrored brilliance with warm translucence. To preserve their refinement and ensure lasting quality, regular and gentle care is essential.

The Chrome (Cr III) finish should be cleaned with a soft, dry microfiber cloth to remove dust and fingerprints. For deeper cleaning, use a slightly damp cloth with mild, pH-neutral soap, then dry immediately with a clean, lint-free cloth. Avoid abrasive pads, strong detergents, acidic solutions, or ammonia-based cleaners, as these may scratch or dull the mirrored surface.

The crystallized marble should be treated with care to maintain its natural radiance. Dust gently with a soft microfiber cloth and, if needed, wipe with warm water and a very mild soap solution. Dry immediately to prevent water spots. Avoid acidic or abrasive cleaners, as these can damage the stone's surface and reduce its soft translucence.

Always switch off and unplug the lamp before cleaning, and avoid exposing the finishes to high humidity or direct water contact. With simple, consistent care, the Chrome (Cr III) will maintain its liquid-metal clarity, while the crystallized marble will continue to diffuse light into a warm, ambient glow ensuring the lamp remains both modern and timeless for years to come.

Materials Description

Unite the mirrored brilliance of Chrome (Cr III) with the warm translucence of crystallized marble, creating a dialogue between precision and softness, reflection and glow.

Chrome (Cr III) offers a sleek, mirror-like clarity. Its surface reflects surroundings with liquid sharpness, embodying contemporary refinement while lending a crisp architectural presence.

Crystallized marble introduces warmth and depth, its softly translucent surface diffusing light into a gentle, ambient radiance. Formed by geological time, each piece of marble is unique, with subtle variations that enrich its character and connect the lamp to nature's artistry.

Together, these materials balance luminous strength with quiet warmth. The result is lighting that is both modern and timeless sculptural objects that mirror their environment while softly illuminating it.