

101

C O P E N H A G E N



Trumpet Table, Tall - Smoked Desert

Designed by

Kristian Sofus Hansen &
Tommy Hyldahl

Trumpet Table, Tall - Smoked Desert

Product Description

The Trumpet Table, inspired by the bold aesthetics of the 1970s, seamlessly blends clean geometric forms with a striking trumpet-shaped silhouette. Crafted entirely from glass, it features a smooth, circular tabletop balanced by an elegantly flared base, creating a sense of lightness and fluidity. The glossy surface subtly catches and reflects light, adding warmth and visual depth, making it an eye-catching statement piece in any space.

The Smoked Desert colour adds a soft, warm grey with delicate translucency, reminiscent of early morning mist.

Designed for versatility, the Trumpet Table serves as a captivating centrepiece in a variety of settings, from living rooms and bedrooms to hotel suites, restaurants, and bars. Great as a stand alone table or combine the tall Trumpet table with the the Low Trumpet table for a harmonious composition.

Each Trumpet Table is meticulously crafted through a traditional mouth-blown glass technique. The beautifully handcrafted table is mounted on a wooden base with internal metal support, ensuring both durability and balance.

Due to the artisanal nature of the production process, small air bubbles or subtle variations may naturally occur, making each piece truly unique. With its sculptural presence and exceptional craftsmanship, the Trumpet Table is a testament to modern simplicity an elegant yet playful addition to both residential and commercial interiors.

Designer Description

Tommy Hyldahl and Kristian Sofus Hansen intertwine their distinct sensibilities to create designs where storytelling, materiality, and timeless form meet in quiet harmony.

With a background in fashion, Tommy brings an intuitive eye for trends, colors, and textures. His process is one of layering histories, blending details and references from past design periods and reimagining them into something fresh and contemporary. Each collection unfolds as a narrative, evolving from concept to creation, with every element contributing to a greater story.

Kristian, who has lived and studied in Japan, seeks to unite Japanese aesthetics with Danish design, creating a characteristic twist on simplicity itself. His work is defined by the search for subtle, original details that elevate each piece with a unique signature. Drawing inspiration from art and sculpture, his creative process unfolds in new and exciting ways, always striving to craft designs that are both functional and timeless.

Together, they craft design that transcends time, poetic yet practical, expressive yet enduring.



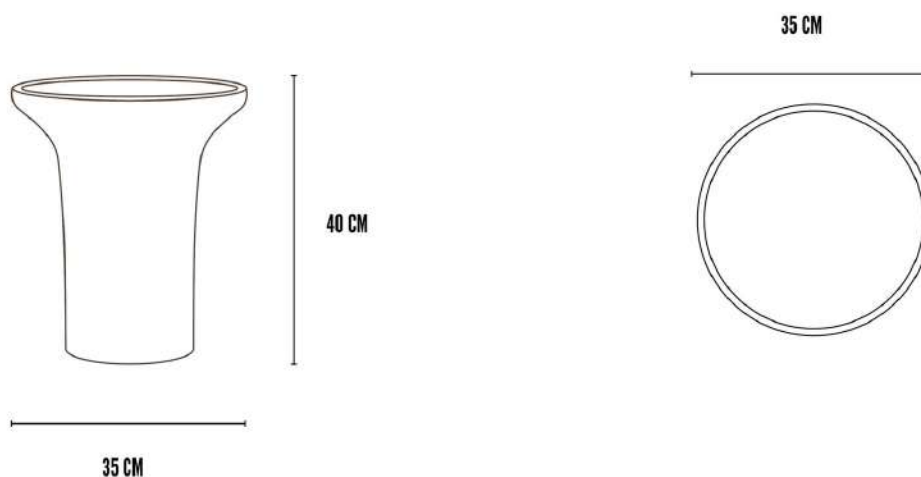
Trumpet Table, Tall - Smoked Desert

Main

SKU	251008	Product Family	Trumpet
Product name	Trumpet Table, Tall - Smoked Desert	Color	Smoked Desert
Product Type	Coffee Table	Size	Tall
		Unit	Piece

Logistics

EAN number	4251501412663	Package - CBM	0.127
Package height in cm	54.00	Package - Weight KG	10.500
Package width in cm	49.00	Tariff Code No	7013490000
Package length in cm	48.00	Country of origin	China
Suitable for Courier	Yes	Quantity of Inner Boxes	1



Trumpet Table, Tall - Smoked Desert

Product

Materials	Glass	Net weight in kg	8.1
Item Height in cm	45.00	Space Suitability	Indoor
Item width in cm	35.00	Strength Test	N/A
Item length in cm	35.00	FSC Wood	Yes

Upholstery

Fabric		Cigarette Test - CAL-117
Martindale	N/A	Cigarette Test - EN 1021-1
Colour Fastness to Light		Cigarette Test - BS5852 Part 1
Pilling		Match Flame Test - EN 1021-2
Oeko Tex		Ignition Source 5 (Crib 5) - BS 5852 Part 2
Fire Test Foam	N/A	NF P92-507 - Class M1

Trumpet Table, Tall - Smoked Desert

Family Description Text

The Trumpet Collection, born from the bold spirit of the 1970s, is a celebration of sculptural form and refined simplicity. It recalls an era when design embraced freedom, fluid lines, and fearless geometry. With its graceful curves and trumpet shaped silhouette, the collection resonates like a note held in suspension, a gesture of music translated into form. It channels the rhythm of jazz, the energy of modernist interiors, and the optimism of a time unafraid of statement and style.

Meticulously crafted through traditional techniques, the Trumpet Collection reveals itself in two expressions, each with its own soul. One is formed entirely from glass, a luminous sculpture that captures light as though it were sound, refracting it into warmth and depth, while the other is grounded, tactile, and architectural, with a sculptural base in hand painted fibre concrete crowned by a disc of natural stones. Together, these interpretations embody the essence of the Trumpet Collection: modern yet timeless, bold yet refined, simple yet expressive, a presence that draws the eye and shifts the energy of a room.

Color Description

A soft, warm grey with delicate translucency, reminiscent of early morning mist over desert sands.

Trumpet Table, Tall - Smoked Desert

Maintenance Guide Description

Though delicate in appearance, the glass is strong and durable, designed for everyday use in decorative and functional objects. To maintain its pristine look, we recommend regular cleaning with a soft microfiber cloth and a gentle glass cleaner or diluted soap solution. Spray the cleaner onto the cloth (not directly on the glass) and wipe in smooth, circular motions. Always dry with a clean cloth to prevent streaks or water marks. Avoid abrasive cleaners, scouring pads, or acidic substances, which can dull or damage the glossy surface. For tables, use coasters or felt pads under objects to prevent scratches or thermal shock from hot items. While the glass is moisture-resistant, it's best to avoid prolonged exposure to standing water or humidity, especially for vases empty and dry them between uses to preserve the finish. Elegant, minimal, and low-maintenance, our glass combines lasting beauty with functional design. With a little care, your table or vase will retain its distinctive charm for years to come.

Materials Description

Our painted glass is created by applying pigment to the inner surface of the glass, a process that preserves the smooth clarity of the outer layer while enriching the material with depth and character. Though visually and tactilely identical to colored glass, the painted finish adds an artisanal dimension, with subtle variations that make each piece unique.

Durable yet refined, painted glass reflects light with the same purity and brilliance as coloured glass, offering a timeless surface that balances precision, craftsmanship, and contemporary expression.