

101

C O P E N H A G E N



Bow Wall Lamp, Big - Bronze

Designed by

Kristian Sofus Hansen &
Tommy Hyldahl

Bow Wall Lamp, Big - Bronze

Product Description

Drawing inspiration from the elegant shape of a bow, the Bow lamps artfully transform LED lights into striking sculptural pieces.

Shaped like the string of a classic bow, the luminous acrylic tube lends a gentle and artistic touch to the lamp. Offered in two distinct wall lamp sizes, the bow lampshade attaches to a sleek rectangular metal wall cup. This design imparts a touch of architectural sophistication and creates a visual depth between the bow and the wall.

The big Bow Wall Lamp is a versatile design statement, ideal for framing artwork, flanking a bed as a sculptural alternative to classic bedside lighting, or adding architectural rhythm to a hallway. Its gentle arc creates both ambient light and a decorative focal point, making it suitable for a wide range of modern interiors. Combine with the mini Bow Wall Lamp for a dynamic sculptural lighting composition that unifies the room.

Every Bow Lamp features a built-in LED light source, boasting an impressive 25,000 hours of radiant illumination at a warm Kelvin 2400. Shifting away from the starkness typically associated with neon, these innovative lamps exude a warmer, more inviting glow, setting the ambiance for a cozy and comforting atmosphere.

All metal components are elegantly plated in bronze.

Designer Description

Tommy Hyldahl and Kristian Sofus Hansen intertwine their distinct sensibilities to create designs where storytelling, materiality, and timeless form meet in quiet harmony.

With a background in fashion, Tommy brings an intuitive eye for trends, colors, and textures. His process is one of layering histories, blending details and references from past design periods and reimagining them into something fresh and contemporary. Each collection unfolds as a narrative, evolving from concept to creation, with every element contributing to a greater story.

Kristian, who has lived and studied in Japan, seeks to unite Japanese aesthetics with Danish design, creating a characteristic twist on simplicity itself. His work is defined by the search for subtle, original details that elevate each piece with a unique signature. Drawing inspiration from art and sculpture, his creative process unfolds in new and exciting ways, always striving to craft designs that are both functional and timeless.

Together, they craft design that transcends time, poetic yet practical, expressive yet enduring.



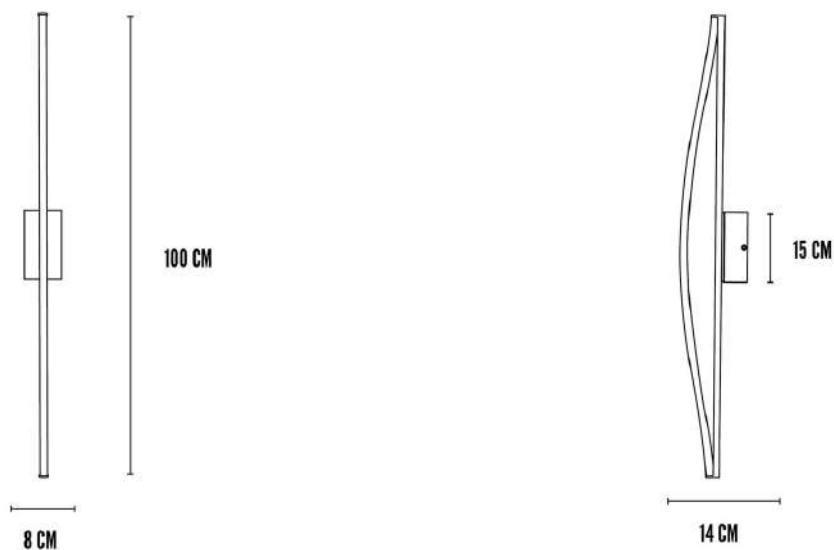
Bow Wall Lamp, Big - Bronze

Main

| | | | |
|--------------|-----------------------------|----------------|--------|
| SKU | 249021 | Product Family | Bow |
| Product name | Bow Wall Lamp, Big - Bronze | Color | Bronze |
| Product Type | Wall Lamp | Size | Big |
| | | Unit | Piece |

Logistics

| | | | |
|----------------------|---------------|-------------------------|------------|
| EAN number | 4251501413462 | Package - CBM | 0.039 |
| Package height in cm | 112.00 | Package - Weight KG | 2.700 |
| Package width in cm | 25.00 | Tariff Code No | 9401690090 |
| Package length in cm | 14.00 | Country of origin | China |
| | | Quantity of Inner Boxes | 1 |



Bow Wall Lamp, Big - Bronze

Product

| | | | |
|-------------------|----------------------------------|------------------------|--------------------------------|
| Materials | Hand-brushed Aluminium & Acrylic | Light Source | SMD LED |
| Item Height in cm | 100 | Lighting Certification | CE-Certificate |
| Item width in cm | 14 | Cable Length | None |
| Item length in cm | 8 | Max Watt (W) | 21 |
| Net weight in kg | 1.94 | Socket | Built-in LED (non-replaceable) |
| Ceiling Cup Size | N/A | IP Rating | 20 |

Led

| | | | |
|-------------------|---------|-------------------------|--|
| Color Temperature | 2700 | Lumen (lm) | 818 |
| Energy Class | G | Illuminant Lifetime (h) | 25000 |
| EPREL No. | 1708007 | Driver Type | Built-in (isolated) DALI-compatible driver |

Bow Wall Lamp, Big - Bronze

Family Description Text

Inspired by the graceful curve of a bow, the Bow Lamps transform light into sculpture. Each piece captures the tension and elegance of a drawn string, its luminous acrylic arc glowing with quiet artistry.

The collection unfolds in wall and floor variations, each carrying its own architectural presence. On the wall, the bow shade extends from a refined rectangular cup, creating depth and a play of shadow between form and surface. On the floor, the ethereal arc rests upon a sculptural bronze-plated sphere, a dialogue of delicacy and strength, lightness and gravity.

Every Bow Lamp holds a built-in LED source that softens the sharpness of neon into a warmer, more human glow. The result is not only illumination but atmosphere, shaping spaces into sanctuaries of comfort and calm.

With every detail touched in bronze, the Bow Series transcends function. It is light as poetry, presence as art, and design made timeless.

Color Description

Hand Brushed Bronze carries a warm grey metallic tone, softened by delicate brushstrokes that create a smooth matte surface. The finish reveals subtle variations in texture and depth, giving it a calm and understated character. Elegant and versatile, it bridges the richness of metal with a modern, architectural expression.

Bow Wall Lamp, Big - Bronze

Maintenance Guide Description

Our lights crafted in hand-brushed plated aluminium with acrylic tubes combine tactile warmth with luminous clarity. To preserve their beauty and ensure lasting quality, regular and gentle care is essential.

The hand-brushed plated aluminium should be cleaned with a soft, dry microfiber cloth to remove dust. For deeper cleaning, use a slightly damp cloth with mild, pH-neutral soap, wiping gently along the direction of the brushing to maintain the surface's subtle texture. Avoid abrasive pads, acidic solutions, or metal polishes, as these may damage the plated finish or alter its refined appearance.

The acrylic tubes require equally careful maintenance. Dust regularly with a soft microfiber cloth, and if necessary, clean with warm water and a small amount of mild soap. Dry immediately with a clean, lint-free cloth to preserve their luminous clarity. Do not use alcohol, solvents, or abrasive cleaners, as these can cause scratches or clouding.

Always switch off and unplug the light before cleaning, and avoid exposing the finishes to excessive humidity or direct water contact. With simple, consistent care, the hand-brushed plated aluminium will retain its crafted elegance, and the acrylic tubes will continue to radiate their soft, glowing presence ensuring your lamp remains timeless for years to come.

Materials Description

Our lights combine the tactile refinement of hand-brushed plated aluminium with the luminous clarity of acrylic tubes. The aluminium is plated in carefully developed finishes, then brushed by hand to create subtle variations in tone and texture details that make each piece unique. Its surface carries both resilience and warmth, a crafted metal elevated by human touch.

In dialogue with this, the acrylic tubes introduce a sense of lightness and radiance. Their crystalline transparency captures and diffuses light, softening the solidity of metal with a glowing clarity. Together, the two materials create a balance of strength and luminosity, weight and air, precision and atmosphere.

The result is a composition where crafted detail meets ethereal light lighting that is as much sculpture as function, designed to remain timeless in both expression and presence.