

101

C O P E N H A G E N



Temple Coffee Table, Low - Limestone

Designed by

Kristian Sofus Hansen &
Tommy Hyldahl

Temple Coffee Table, Low - Limestone

Product Description

Rich on architectural references, the low Temple Coffee Table reminisces architectural facades to create a play of tactile and polished surfaces.

Made from a beautiful sand colour limestone, each table consists of two staggered blocks on top of each other. Rich on texture, small holes and incorrections, each table embraces the beauty of the natural stone. Made by skilled stone artisans, the tactile surface is achieved by delicate hand carvings.

The Temple Coffee Table is suitable for many purposes, such as coffee tables, side table and plinths to exhibit objects. Use alone or complement with several of the same or along with the Tall Temple Coffee table or the Podium in Limestone.

Limestone is suitable for outdoor use.

Designer Description

Tommy Hyldahl and Kristian Sofus Hansen intertwine their distinct sensibilities to create designs where storytelling, materiality, and timeless form meet in quiet harmony.

With a background in fashion, Tommy brings an intuitive eye for trends, colors, and textures. His process is one of layering histories, blending details and references from past design periods and reimagining them into something fresh and contemporary. Each collection unfolds as a narrative, evolving from concept to creation, with every element contributing to a greater story.

Kristian, who has lived and studied in Japan, seeks to unite Japanese aesthetics with Danish design, creating a characteristic twist on simplicity itself. His work is defined by the search for subtle, original details that elevate each piece with a unique signature. Drawing inspiration from art and sculpture, his creative process unfolds in new and exciting ways, always striving to craft designs that are both functional and timeless.

Together, they craft design that transcends time, poetic yet practical, expressive yet enduring.



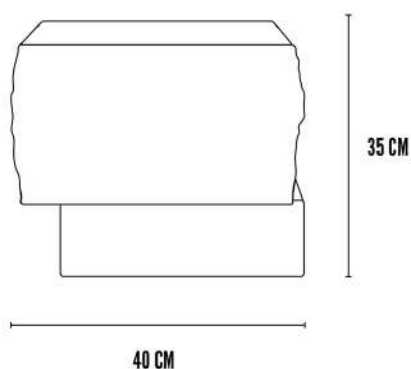
Temple Coffee Table, Low - Limestone

Main

SKU	241014	Product Family	Temple
Product name	Temple Coffee Table, Low - Limestone	Color	Limestone
Product Type	Coffee Table	Size	Low
		Unit	Piece

Logistics

EAN number	4251501409991	Package - CBM	0.081
Package height in cm	40.00	Package - Weight KG	57.900
Package width in cm	44.00	Tariff Code No	6802991000
Package length in cm	46.00	Country of origin	China
Suitable for Courier	Yes	Quantity of Inner Boxes	1



Temple Coffee Table, Low - Limestone

Product

Materials	Limestone	Net weight in kg	45.9
Item Height in cm	35.00	Space Suitability	Indoor
Item width in cm	42.00	Strength Test	N/A
Item length in cm	40.00	FSC Wood	N/A

Upholstery

Fabric		Cigarette Test - CAL-117
Martindale	N/A	Cigarette Test - EN 1021-1
Colour Fastness to Light		Cigarette Test - BS5852 Part 1
Pilling		Match Flame Test - EN 1021-2
Oeko Tex		Ignition Source 5 (Crib 5) - BS 5852 Part 2
Fire Test Foam	N/A	NF P92-507 - Class M1

Temple Coffee Table, Low - Limestone

Family Description Text

The Temple Collection is a meditation on architecture and material, an exploration of how form, light, and texture converse across surfaces. The pieces are imagined as fragments of ruins, as if lifted from a forgotten site and reimagined within the scale of a home. They recall the way ancient walls stand against centuries, worn yet dignified, their surfaces alive with the marks of history.

Two distinct voices shape the collection. One speaks entirely in stone: monolithic, raw yet refined, recalling the timeless solidity of temples sculpted from the earth itself. The other introduces a dialogue of contrasts: a hand carved limestone top resting on a hollow base in polished chrome. Here, gravity and levitation, weight and reflection, permanence and ephemerality are brought into conversation. The mirrored base dissolves into its surroundings, allowing the stone above to appear suspended in air.

The collection is conceived not only as singular objects but as elements in dialogue with one another. Side tables can be paired with the podium, which may also be placed lying down to form a longer, horizontal expression. In these shifting arrangements, the pieces echo the modularity of architecture, adapting while retaining their sculptural presence.

Color Description

Our limestone is defined by a soft, sand-beige tone with gentle warmth drawn from its geological origins. Subtle variations in beige shades create an organic depth, evoking the timeless character of stone shaped over millennia. Calm and versatile, this sand-beige colour conveys quiet elegance and serves as a refined foundation for both modern and traditional settings.

Temple Coffee Table, Low - Limestone

Maintenance Guide Description

Limestone is a natural stone whose beauty lies in its organic texture and subtle variations. To preserve its refined character, clean surfaces regularly with a soft, damp cloth and mild, pH-neutral soap. Always dry thoroughly after cleaning to prevent water spots.

Avoid acidic or alkaline cleaners, vinegar, citrus, or abrasive pads, as these can etch or scratch the stone. Use coasters, placemats, or felt pads to protect against spills, stains, and heat. Wipe spills immediately to prevent absorption, as limestone is porous and sensitive to liquids such as wine, coffee, and oils.

To maintain long-term durability, periodic professional sealing is recommended, creating a protective barrier while allowing the stone to breathe. Keep limestone away from harsh chemicals and prolonged exposure to moisture or direct sunlight to preserve its natural surface.

With attentive care, limestone will age gracefully, retaining its quiet strength and timeless elegance.

Materials Description

Formed over millennia by ancient organisms and geological forces, limestone holds a story within every layer of its structure. Its natural softness allows for delicate shaping, a quality that has made it a cornerstone of architecture and design throughout history.

Our limestone is carefully sourced through a meticulous sampling process, ensuring that each piece meets our exacting standards for color, texture, and integrity. Subtle variations in tone and pattern reveal its organic origins, making every surface unique. Durable yet refined, limestone brings a sense of timeless depth and natural elegance to furniture, grounding interiors with quiet strength and character.