

101

C O P E N H A G E N



Pillar Table, Low - Burned Black

Designed by

Kristian Sofus Hansen &
Tommy Hyldahl

Pillar Table, Low - Burned Black

Product Description

Inspired by the rich, lustrous use of material in the 1930s Art Deco movement, the Pillar Table, Low - Burned Black is a piece of statement furniture characterized by the contrast between a paper-thin tabletop and a voluminous base.

Made of plated metal in a deep burned black finish, the table offers a sophisticated, contemporary appearance that will be a unique addition to any home. The curved exterior makes this table suitable for both classic and modern interiors.

With its low height, the Pillar Table, Low - Burned Black is perfect as a coffee table in a living room, as a side table beside a lounge chair, or as an accent piece in an open space. Its compact, rounded form makes it easy to place while still creating a strong visual impact.

Designer Description

Tommy Hyldahl and Kristian Sofus Hansen intertwine their distinct sensibilities to create designs where storytelling, materiality, and timeless form meet in quiet harmony.

With a background in fashion, Tommy brings an intuitive eye for trends, colors, and textures. His process is one of layering histories, blending details and references from past design periods and reimagining them into something fresh and contemporary. Each collection unfolds as a narrative, evolving from concept to creation, with every element contributing to a greater story.

Kristian, who has lived and studied in Japan, seeks to unite Japanese aesthetics with Danish design, creating a characteristic twist on simplicity itself. His work is defined by the search for subtle, original details that elevate each piece with a unique signature. Drawing inspiration from art and sculpture, his creative process unfolds in new and exciting ways, always striving to craft designs that are both functional and timeless.

Together, they craft design that transcends time, poetic yet practical, expressive yet enduring.



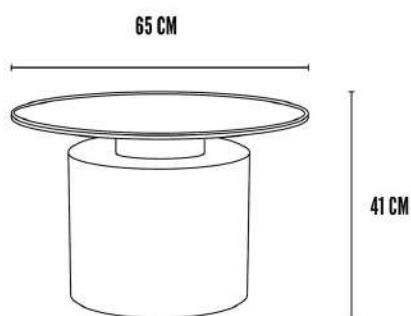
Pillar Table, Low - Burned Black

Main

SKU	201025	Product Family	Pillar
Product name	Pillar Table, Low - Burned Black	Color	Burned Black
Product Type	Coffee Table	Size	Low
		Unit	Piece

Logistics

EAN number	4251501405276	Package - CBM	0.285
Package height in cm	52.00	Package - Weight KG	15.000
Package width in cm	74.00	Tariff Code No	9403208000
Package length in cm	74.00	Country of origin	China
Suitable for Courier	No	Quantity of Inner Boxes	1



Pillar Table, Low - Burned Black

Product

Materials	Powder Coated Iron	Net weight in kg	11.8
Item Height in cm	41.00	Space Suitability	Indoor
Item width in cm	65.00	Strength Test	N/A
Item length in cm	65.00	FSC Wood	N/A

Upholstery

Fabric		Cigarette Test - CAL-117
Martindale	N/A	Cigarette Test - EN 1021-1
Colour Fastness to Light		Cigarette Test - BS5852 Part 1
Pilling		Match Flame Test - EN 1021-2
Oeko Tex		Ignition Source 5 (Crib 5) - BS 5852 Part 2
Fire Test Foam	N/A	NF P92-507 - Class M1

Pillar Table, Low - Burned Black

Family Description Text

Rooted in the glamour and modernism of the 1930s Art Deco movement, the Pillar Collection is a sculptural expression of elegance and strength. The Art Deco era celebrated bold geometry, rich materials, and dramatic contrasts, principles that come vividly to life in this design. A paper-thin tabletop appears to float above a voluminous cylindrical base, creating a striking balance between lightness and solidity, delicacy and permanence.

Crafted in lustrous iron, the collection reflects the movement's fascination with metallic finishes, symmetry, and refined craftsmanship. Much like the architecture and interiors of the era, the Pillar Collection is more than functional furniture. It is a statement of style, glamour, and enduring artistry that brings timeless grandeur into contemporary living.

Color Description

Burned Black is a deep, charcoal-black tone enriched with a subtle warm red undercurrent. Its matte powder-coated surface delivers a smooth, consistent appearance, while gentle tonal shifts emerge as light moves across it. Bold yet quietly warm, Burned Black brings depth, richness, and a refined architectural presence to any palette.

Pillar Table, Low - Burned Black

Maintenance Guide Description

Keep powder coated iron clean by wiping it regularly with a soft, dry microfiber cloth. For deeper cleaning, use a mild soap solution on a damp cloth, then rinse and dry thoroughly to prevent moisture from sitting on the surface. Avoid abrasive pads, harsh chemicals, and solvent-based cleaners, as these can weaken or scratch the powder coating. Always use coasters, placemats, and soft pads to prevent scratches and stains. This piece is designed for indoor use only; keep it away from prolonged moisture or high-humidity environments to preserve the finish. With gentle care, the surface will remain smooth, protective, and long-lasting.

Materials Description

Powder-coated iron combines the strength of solid iron with a protective, heat-cured powder coating. This finish creates a smooth, durable layer that helps guard against rust, chipping, and everyday wear. The powder coat offers consistent color and texture while shielding the iron beneath from moisture and environmental exposure. With proper care, powder-coated iron delivers long-lasting durability and a clean, modern appearance suitable for both indoor and covered outdoor use.