

101

C O P E N H A G E N



Arc Console - Coffee

Designed by

Kristian Sofus Hansen &
Tommy Hyldahl

Arc Console - Coffee

Product Description

The Arc Console in the deep, warm Coffee shade is an ode to Art Deco, where grand architectural details are distilled into minimalist forms. Sculptural steps and arches create depth and shadow, evoking classical structures with a contemporary edge.

The hand-painted console is crafted entirely in solid fiber concrete, with raw textures and elemental forms that give the design strength and clarity, offering a monolithic architectural presence.

Place the Arc Console in Coffee along a hallway wall, behind a sofa, or in a living room. Its strong silhouette and tactile surface make it a quiet focal point, equally suited to standing alone or styled with carefully chosen accessories, and it complements other pieces from the Arc Collection.

Designer Description

Tommy Hyldahl and Kristian Sofus Hansen intertwine their distinct sensibilities to create designs where storytelling, materiality, and timeless form meet in quiet harmony.

With a background in fashion, Tommy brings an intuitive eye for trends, colors, and textures. His process is one of layering histories, blending details and references from past design periods and reimagining them into something fresh and contemporary. Each collection unfolds as a narrative, evolving from concept to creation, with every element contributing to a greater story.

Kristian, who has lived and studied in Japan, seeks to unite Japanese aesthetics with Danish design, creating a characteristic twist on simplicity itself. His work is defined by the search for subtle, original details that elevate each piece with a unique signature. Drawing inspiration from art and sculpture, his creative process unfolds in new and exciting ways, always striving to craft designs that are both functional and timeless.

Together, they craft design that transcends time, poetic yet practical, expressive yet enduring.



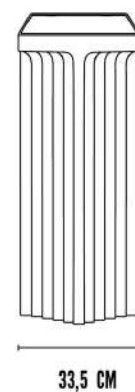
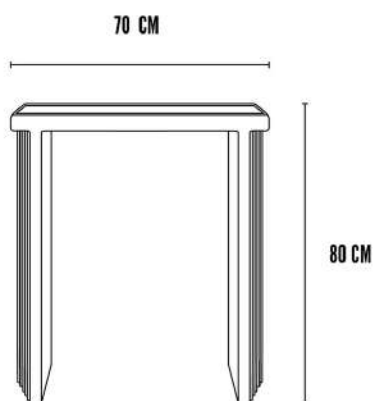
Arc Console - Coffee

Main

SKU	263013	Product Family	Arc
Product name	Arc Console - Coffee	Color	Coffee
Product Type	Console	Size	Regular
		Unit	Piece

Logistics

EAN number	4251501415381	Package - CBM	0.362
Package height in cm	82.00	Package - Weight KG	28.400
Package width in cm	46.00	Tariff Code No	9403890090
Package length in cm	96.00	Country of origin	China
Suitable for Courier	No	Quantity of Inner Boxes	1



Arc Console - Coffee

Product

Materials	Fiber Concrete	Net weight in kg	24.9
Item Height in cm	80.00	Space Suitability	Indoor
Item width in cm	30.00	Strength Test	N/A
Item length in cm	70.00	FSC Wood	N/A

Upholstery

Fabric	Cigarette Test - CAL-117
Martindale	Cigarette Test - EN 1021-1
Colour Fastness to Light	Cigarette Test - BS5852 Part 1
Pilling	Match Flame Test - EN 1021-2
Oeko Tex	Ignition Source 5 (Crib 5) - BS 5852 Part 2
Fire Test Foam	NF P92-507 - Class M1

Arc Console - Coffee

Family Description Text

The Arc Collection is an ode to Art Deco, where grand architectural details are distilled into minimalist forms. Sculptural steps and arches create depth and shadow, evoking classical structures with a contemporary edge.

At its core, the collection explores material contrasts. Solid oak, hand painted fiber concrete in nuanced tones, solid fiber concrete, and silver travertine meet in bold dialogue, united by a single sculptural language. Raw textures and elemental forms define each piece, giving the collection strength and clarity.

The Arc Dining Table pairs the warmth of solid oak with the weight of hand painted fiber concrete, creating a centerpiece that is both monumental and refined. The Arc Console is available in two expressions. One combines a base of hand painted fiber concrete with a silver travertine top, merging permanence with delicacy. The other is crafted entirely in solid fiber concrete, offering a more monolithic architectural presence. The Arc Bench, cast fully in hand painted fiber concrete, stands as the purest expression of the series, sculptural and strong. It can be paired with an optional linen cushion to introduce a tactile counterpoint to its raw surface.

Arc is a study in raw beauty. Diverse materials converge without breaking the design language, resulting in a collection that transforms architectural influence into timeless furniture for modern living.

Color Description

Hand-painted in a deep, warm dark brown, this shade evokes the richness of earth and roasted beans. Its grounded elegance lends both warmth and depth, while brush stroke variations bring gentle shifts in tone and texture, making each piece entirely unique.

Maintenance Guide Description

Hand-painted fiber concrete is strong and resilient, yet its artisanal finish requires thoughtful care. Dust surfaces regularly with a soft cloth, and for routine cleaning, use a damp cloth with mild, pH-neutral soap, then dry thoroughly. Avoid abrasive pads, solvents, or acidic and alkaline cleaners, as these can damage the hand-painted layer.

Always protect surfaces with coasters, mats, or felt pads to prevent scratches, stains, and heat marks. Wipe spills immediately to reduce the risk of absorption, and avoid prolonged exposure to standing water. To preserve its finish, keep furniture away from direct sunlight, high humidity, and extreme temperature changes.

With simple, mindful care, hand-painted fiber concrete furniture will maintain its unique character, depth, and elegance for years to come.

Materials Description

Hand-painted fiber concrete combines strength with artistry, transforming an industrial material into a refined surface for pieces that enrich the home. Reinforced with fibers for durability, it offers resilience against everyday use while remaining lightweight and versatile. Each piece is painted by hand, creating subtle variations in tone and texture that make every surface unique.

The result is a finish that balances raw honesty with crafted detail, bringing depth, character, and individuality to contemporary interiors.