

# 101

C O P E N H A G E N



## **Arc Console - Silver Travertine**

Designed by

Kristian Sofus Hansen &  
Tommy Hyldahl

# Arc Console - Silver Travertine

---

## Product Description

The Arc Console with a silver travertine top is an ode to Art Deco, where grand architectural details are distilled into minimalist forms. Sculptural steps and arches create depth and shadow, evoking classical structures with a contemporary edge.

The silver travertine top resting on a solid fiber concrete base merges permanence with delicacy. Raw textures and elemental forms give the design strength and clarity, creating a balanced dialogue between stone and concrete.

Place the Arc Console along a hallway wall, behind a sofa, or in a living room. Its strong silhouette and tactile surfaces make it a quiet focal point, equally suited to standing alone or styled with carefully chosen objects, and it complements other pieces from the Arc Collection.

## Designer Description

Tommy Hyldahl and Kristian Sofus Hansen intertwine their distinct sensibilities to create designs where storytelling, materiality, and timeless form meet in quiet harmony.

With a background in fashion, Tommy brings an intuitive eye for trends, colors, and textures. His process is one of layering histories, blending details and references from past design periods and reimagining them into something fresh and contemporary. Each collection unfolds as a narrative, evolving from concept to creation, with every element contributing to a greater story.

Kristian, who has lived and studied in Japan, seeks to unite Japanese aesthetics with Danish design, creating a characteristic twist on simplicity itself. His work is defined by the search for subtle, original details that elevate each piece with a unique signature. Drawing inspiration from art and sculpture, his creative process unfolds in new and exciting ways, always striving to craft designs that are both functional and timeless.

Together, they craft design that transcends time, poetic yet practical, expressive yet enduring.



# Arc Console - Silver Travertine

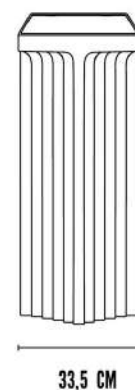
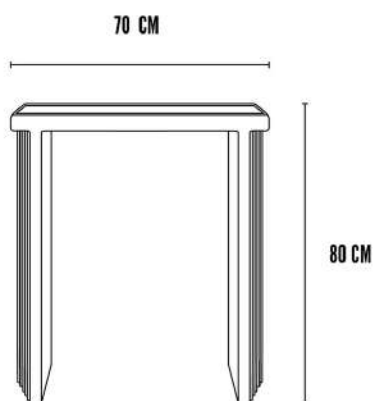
---

## Main

SKU	263012	Product Family	Arc
Product name	Arc Console - Silver Travertine	Color	Silver Travertine
Product Type	Console	Size	Regular
		Unit	Piece

## Logistics

EAN number	4251501415374	Package - CBM	0.362
Package height in cm	82.00	Package - Weight KG	30.600
Package width in cm	46.00	Tariff Code No	9401790000
Package length in cm	96.00	Country of origin	China
Suitable for Courier	No	Quantity of Inner Boxes	1



# Arc Console - Silver Travertine

---

## Product

Materials	Silver Travertine & Fiber concrete	Net weight in kg	24.9
Item Height in cm	80.00	Space Suitability	Indoor
Item width in cm	30.00	Strength Test	N/A
Item length in cm	70.00	FSC Wood	N/A

## Upholstery

Fabric	Cigarette Test - CAL-117
Martindale	Cigarette Test - EN 1021-1
Colour Fastness to Light	Cigarette Test - BS5852 Part 1
Pilling	Match Flame Test - EN 1021-2
Oeko Tex	Ignition Source 5 (Crib 5) - BS 5852 Part 2
Fire Test Foam	NF P92-507 - Class M1

# Arc Console - Silver Travertine

---

## Family Description Text

The Arc Collection is an ode to Art Deco, where grand architectural details are distilled into minimalist forms. Sculptural steps and arches create depth and shadow, evoking classical structures with a contemporary edge.

At its core, the collection explores material contrasts. Solid oak, hand painted fiber concrete in nuanced tones, solid fiber concrete, and silver travertine meet in bold dialogue, united by a single sculptural language. Raw textures and elemental forms define each piece, giving the collection strength and clarity.

The Arc Dining Table pairs the warmth of solid oak with the weight of hand painted fiber concrete, creating a centerpiece that is both monumental and refined. The Arc Console is available in two expressions. One combines a base of hand painted fiber concrete with a silver travertine top, merging permanence with delicacy. The other is crafted entirely in solid fiber concrete, offering a more monolithic architectural presence. The Arc Bench, cast fully in hand painted fiber concrete, stands as the purest expression of the series, sculptural and strong. It can be paired with an optional linen cushion to introduce a tactile counterpoint to its raw surface.

Arc is a study in raw beauty. Diverse materials converge without breaking the design language, resulting in a collection that transforms architectural influence into timeless furniture for modern living.

## Color Description

Silver Travertine is a natural colour defined by layered tones of silver-grey, taupe, and soft earthy undertones. The interplay of these shades creates depth, warmth, and a sense of quiet strength. Timeless and versatile, this colour bridges ancient character with contemporary elegance, offering a grounded yet refined presence in any setting.

## Arc Console - Silver Travertine

---

### Maintenance Guide Description

This piece combines the natural elegance of Silver Travertine with the sculptural strength of hand-painted fiber concrete. Both materials are crafted to endure, yet each requires mindful care to preserve its beauty.

For Silver Travertine, dust regularly with a soft, dry cloth. Because travertine is naturally porous, wipe spills immediately to prevent staining from liquids such as wine, coffee, or oils. Avoid acidic or abrasive cleaners, as these can etch or dull the surface. For lasting protection, professional sealing is recommended.

For hand-painted fiber concrete, clean only with a soft, dry cloth. Do not use water, soap, or chemical cleaners, as moisture and detergents may damage the painted finish. Avoid abrasive pads or rough materials. Protect surfaces with coasters, mats, or felt pads to prevent scratches, stains, or heat marks, and handle objects carefully to avoid impact on edges or corners.

With consistent, thoughtful care, the natural character of travertine and the refined finish of hand-painted fiber concrete will retain their contrast and harmony, allowing the furniture to age gracefully while maintaining its sculptural presence.

### Materials Description

This material pairing unites the natural character of Silver Travertine with the sculptural strength of fiber concrete. Silver Travertine, known for its soft greys, layered striations, and subtle tonal shifts, brings a sense of grounded elegance shaped by millennia of sedimentary formation. Each piece is distinct, with linear patterns that add texture, depth, and a calm visual rhythm.

In contrast, fiber concrete offers stability and resilience. Reinforced with fibers and cast in molds, it allows for bold sculptural forms while remaining lightweight and durable. When combined, the refined natural beauty of travertine and the architectural strength of concrete create a dialogue between organic texture and precise craftsmanship.

The result is a material composition that is both expressive and enduring; timeless stone anchored by crafted concrete, designed to enrich furniture with contrast, balance, and sculptural presence.