

# 101

C O P E N H A G E N



## **Daiku Dining Chair - Deep Taupe**

Designed by

Kristian Sofus Hansen &  
Tommy Hyldahl

# Daiku Dining Chair - Deep Taupe

---

## Product Description

Inspired by modular architectural forms, the Daiku Dining Chair reflects the essence of stacked building components with a clean, cube-like silhouette.

The chair's design highlights two interlocking volumes - the backrest and seat - crafted to appear distinct yet harmoniously unified. The subtle division between seat and backrest creates an almost floating effect, adding lightness to the sculptural form. Its geometric clarity brings a refined architectural presence to the dining table, while the open, inviting shape encourages comfort and social connection during meals.

Constructed with carefully layered foam and gently rounded edges, the Daiku Dining Chair balances structural precision with soft tactile appeal. Minimal visible stitching reinforces its sleek, minimalist character.

Upholstered in the same warm Deep Taupe bouclé fabric as the lounge chair, it offers a cozy, inviting experience that complements any dining setting.

## Designer Description

Tommy Hyldahl and Kristian Sofus Hansen intertwine their distinct sensibilities to create designs where storytelling, materiality, and timeless form meet in quiet harmony.

With a background in fashion, Tommy brings an intuitive eye for trends, colors, and textures. His process is one of layering histories, blending details and references from past design periods and reimagining them into something fresh and contemporary. Each collection unfolds as a narrative, evolving from concept to creation, with every element contributing to a greater story.

Kristian, who has lived and studied in Japan, seeks to unite Japanese aesthetics with Danish design, creating a characteristic twist on simplicity itself. His work is defined by the search for subtle, original details that elevate each piece with a unique signature. Drawing inspiration from art and sculpture, his creative process unfolds in new and exciting ways, always striving to craft designs that are both functional and timeless.

Together, they craft design that transcends time, poetic yet practical, expressive yet enduring.



# Daiku Dining Chair - Deep Taupe

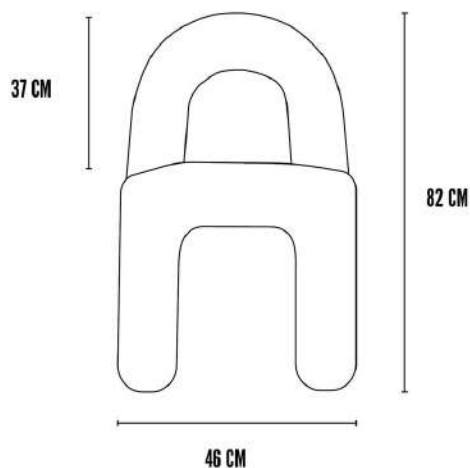
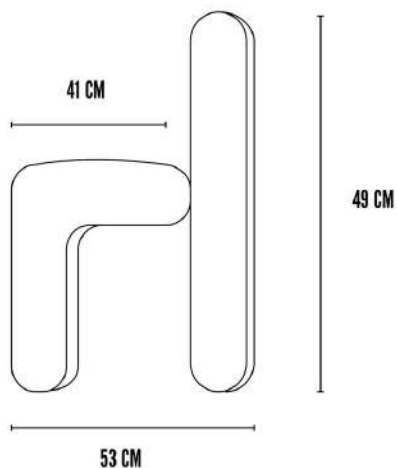
---

## Main

SKU	253053	Product Family	Daiku
Product name	Daiku Dining Chair - Deep Taupe	Color	Deep Taupe (A2635)
Product Type	Dining Chair	Size	Regular
		Unit	Piece

## Logistics

EAN number	4251501414100	Package - CBM	0.251
Package height in cm	85.00	Package - Weight KG	18.000
Package width in cm	51.00	Tariff Code No	9401610000
Package length in cm	58.00	Country of origin	China
Suitable for Courier	No	Quantity of Inner Boxes	1



# Daiku Dining Chair - Deep Taupe

---

## Product

Materials	Bouclé	Net weight in kg	14
Item Height in cm	82.00	Space Suitability	Indoor
Item width in cm	53.00	Strength Test	L1
Item length in cm	46.00	FSC Wood	No

## Upholstery

Fabric	Deep Taupe (A2635)	Cigarette Test - CAL-117	No
Martindale	50.000	Cigarette Test - EN 1021-1	No
Colour Fastness to Light	4	Cigarette Test - BS5852 Part 1	Yes
Pilling	5.000 Rubs	Match Flame Test - EN 1021-2	No
Oeko Tex	N/A	Ignition Source 5 (Crib 5) - BS 5852 Part 2	No
Fire Test Foam	CAL-117	NF P92-507 - Class M1	No

# Daiku Dining Chair - Deep Taupe

---

## Family Description Text

The Daiku Collection emerges from an architectural rhythm, where stacked volumes and modular structures become furniture. Each piece is composed of two interlocking forms, the seat and the backrest, that remain distinct yet inseparably whole.

Geometric and cube like, the silhouettes hold a sculptural gravity, yet their openness invites ease, comfort, and exchange. The subtle separation of planes suggests lightness, as though the pieces hover in space, firm yet fluid, precise yet welcoming.

Softened by rounded edges and refined by restraint, Daiku embodies balance, structural clarity tempered by human touch. The minimized use of detail amplifies its monolithic calm, allowing form alone to speak.

Together, the Daiku Collection carries a quiet presence, architecture translated into places of rest and gathering.

## Color Description

A dark taupe base interwoven with lighter taupe highlights in the boucle weave. The texture adds depth and contrast, giving the fabric an earthy, sophisticated presence.

# Daiku Dining Chair - Deep Taupe

---

## Maintenance Guide Description

Bouclé's looped yarns give it its charm but also require mindful care. Vacuum the upholstery regularly with a soft brush attachment to remove dust and prevent dirt from settling between the loops. To protect the fabric, avoid contact with sharp objects or rough clothing that may snag the fibers.

In the event of spills, gently blot with a clean, dry cloth never rub, as this may distort the loops or spread the stain. For light soiling, use a mild upholstery cleaner suitable for synthetic fabrics and always test on a hidden area first. Professional upholstery cleaning is recommended for deeper maintenance.

Keep bouclé furniture away from direct sunlight to prevent fading, and avoid prolonged exposure to moisture. With simple care, bouclé will maintain its softness, texture, and inviting comfort for years to come.

## Materials Description

Bouclé is a distinctive fabric woven from looped yarns that create its signature soft, tactile texture. Crafted from 100% PES (polyester), it combines luxurious comfort with excellent durability, making it perfectly suited for upholstered furniture. The nubby surface adds visual depth and a cozy, inviting feel, ideal for living rooms, bedrooms, or any space where warmth and style meet. With its unique blend of softness and resilience, bouclé remains a timeless choice designed to endure everyday use.