

# 101

C O P E N H A G E N



## **Bow Console - Birch**

Designed by

Kristian Sofus Hansen &  
Tommy Hyldahl

# Bow Console - Birch

---

## Product Description

The Bow Console stands as a testament to timeless design, reminiscent of the architectural grandeur of the ancient Roman aqueducts and classic geometrical precision.

With its sequence of arches, the console offers a sleek and sophisticated silhouette that is both understated and commanding. The elongated legs lend an air of elegance and lightness, defying the substantial presence of these pieces.

The Bow Console with its 8 legs, is ideal as a sculptural entryway statement, behind a sofa to create architectural balance, or as a refined display surface for art objects and lighting in living and dining spaces. Its arched design adds rhythm and sophistication, making it equally impactful in both residential and gallery settings. Complement along with the big Bow console or the Bow bench.

Crafted from lightweight fiber concrete, the Bow Console not only showcases a distinctively textured surface but also boasts enhanced portability. Each console is meticulously hand-painted with multiple layers, ensuring a durable and resilient finish that is built to last. A harmonious blend of form and function, solidifying its status as a striking addition to contemporary design.

## Designer Description

Tommy Hyldahl and Kristian Sofus Hansen intertwine their distinct sensibilities to create designs where storytelling, materiality, and timeless form meet in quiet harmony.

With a background in fashion, Tommy brings an intuitive eye for trends, colors, and textures. His process is one of layering histories, blending details and references from past design periods and reimagining them into something fresh and contemporary. Each collection unfolds as a narrative, evolving from concept to creation, with every element contributing to a greater story.

Kristian, who has lived and studied in Japan, seeks to unite Japanese aesthetics with Danish design, creating a characteristic twist on simplicity itself. His work is defined by the search for subtle, original details that elevate each piece with a unique signature. Drawing inspiration from art and sculpture, his creative process unfolds in new and exciting ways, always striving to craft designs that are both functional and timeless.

Together, they craft design that transcends time, poetic yet practical, expressive yet enduring.



# Bow Console - Birch

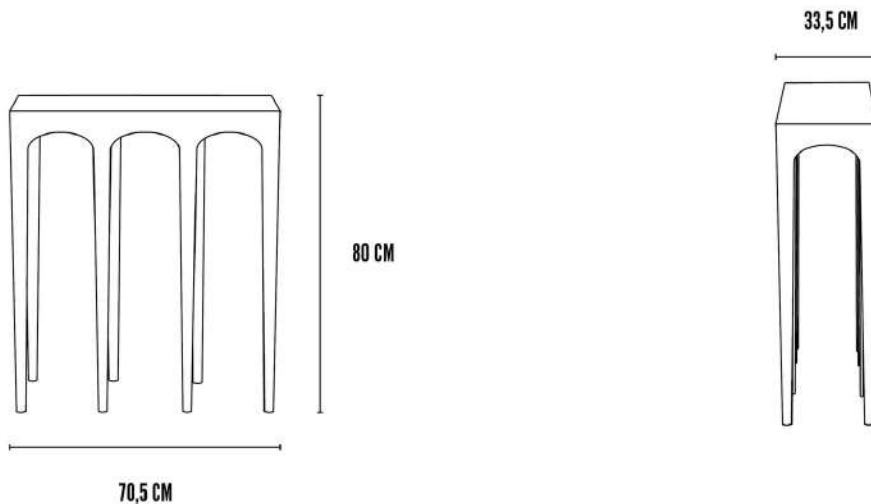
---

## Main

|              |                     |                |         |
|--------------|---------------------|----------------|---------|
| SKU          | 251005              | Product Family | Bow     |
| Product name | Bow Console - Birch | Color          | Birch   |
| Product Type | Console             | Size           | Regular |
|              |                     | Unit           | Piece   |

## Logistics

|                      |               |                         |            |
|----------------------|---------------|-------------------------|------------|
| EAN number           | 4251501412502 | Package - CBM           | 0.315      |
| Package height in cm | 80.00         | Package - Weight KG     | 16.500     |
| Package width in cm  | 40.00         | Tariff Code No          | 9403890090 |
| Package length in cm | 96.00         | Country of origin       | China      |
| Suitable for Courier | No            | Quantity of Inner Boxes | 1          |



## Bow Console - Birch

---

### Product

|                   |                |                   |        |
|-------------------|----------------|-------------------|--------|
| Materials         | Fiber Concrete | Net weight in kg  | 15     |
| Item Height in cm | 80.00          | Space Suitability | Indoor |
| Item width in cm  | 33.50          | Strength Test     | No     |
| Item length in cm | 70.50          | FSC Wood          | N/A    |

### Upholstery

|                          |     |   |
|--------------------------|-----|---|
| Fabric                   |     | Cigarette Test - CAL-117                    |
| Martindale               | N/A | Cigarette Test - EN 1021-1                  |
| Colour Fastness to Light |     | Cigarette Test - BS5852 Part 1              |
| Pilling                  |     | Match Flame Test - EN 1021-2                |
| Oeko Tex                 |     | Ignition Source 5 (Crib 5) - BS 5852 Part 2 |
| Fire Test Foam           | N/A | NF P92-507 - Class M1                       |

## Bow Console - Birch

---

### Family Description Text

The Bow Collection is a study in timeless geometry, where ancient echoes meet modern design. Inspired by the strength of Roman aqueducts and the quiet rhythm of repetition, each piece is both architectural and poetic.

Arches define its silhouette, sculptural yet refined, creating balance between presence and lightness. Cast in lightweight fiber concrete, the collection carries the impression of permanence while remaining unexpectedly mobile. Its surface is hand-painted, textured with depth, and crafted to endure.

The Bow Collection is more than furniture. It is architecture reimagined for the home, a dialogue between weight and grace, durability and elegance. A celebration of form that inspires not only through function, but through the poetry of design made to last.

### Color Description

Hand-painted in a bright, pale natural beige with a whisper of warmth, Birch reflects the gentle tone of fresh wood. Its light and airy presence brings softness and calm, while variations in brush strokes lend natural depth, ensuring each piece is uniquely alive.

## Bow Console - Birch

---

### Maintenance Guide Description

Hand-painted fiber concrete is strong and resilient, yet its artisanal finish requires thoughtful care. Dust surfaces regularly with a soft cloth, and for routine cleaning, use a damp cloth with mild, pH-neutral soap, then dry thoroughly. Avoid abrasive pads, solvents, or acidic and alkaline cleaners, as these can damage the hand-painted layer.

Always protect surfaces with coasters, mats, or felt pads to prevent scratches, stains, and heat marks. Wipe spills immediately to reduce the risk of absorption, and avoid prolonged exposure to standing water. To preserve its finish, keep furniture away from direct sunlight, high humidity, and extreme temperature changes.

With simple, mindful care, hand-painted fiber concrete furniture will maintain its unique character, depth, and elegance for years to come.

### Materials Description

Hand-painted fiber concrete combines strength with artistry, transforming an industrial material into a refined surface for pieces that enrich the home. Reinforced with fibers for durability, it offers resilience against everyday use while remaining lightweight and versatile. Each piece is painted by hand, creating subtle variations in tone and texture that make every surface unique.

The result is a finish that balances raw honesty with crafted detail, bringing depth, character, and individuality to contemporary interiors.