

101

C O P E N H A G E N



Crown Table, Tall - Smoked Forest

Designed by

Kristian Sofus Hansen &
Tommy Hyldahl

Crown Table, Tall - Smoked Forest

Product Description

The Crown table combines elegance and architectural artistry in exquisitely crafted, mouth-blown glass.

The Crown Table is formed as a single, seamless piece, featuring a circular tabletop resting on four cylindrical legs-- achieving a perfect balance between structure and simplicity.

Inspired by the raw, monolithic elements of Brutalist architecture, the design pays homage to the beauty of columns while embracing a refined, minimalist aesthetic. The Smoked Forest hue gives a rich, deep transparency infused with warm brown undertones that evoke the depth of shadowed woodlands.

To ensure stability and durability, the glass structure is mounted onto a wooden base with internal metal reinforcement, combining aesthetic purity with functional resilience.

With its sculptural presence and impeccable craftsmanship, the Crown Table seamlessly integrates into both residential and commercial spaces, offering a timeless expression of modern simplicity. Combine the tall Crown table with the low Crown table for a dynamic and layered expression. Place as a coffee table or statement piece in a lounge, lobby, or living space.

Due to the artisanal nature of its creation, subtle variations and air bubbles may occur making each table a one-of-a-kind statement piece.

Designer Description

Tommy Hyldahl and Kristian Sofus Hansen intertwine their distinct sensibilities to create designs where storytelling, materiality, and timeless form meet in quiet harmony.

With a background in fashion, Tommy brings an intuitive eye for trends, colors, and textures. His process is one of layering histories, blending details and references from past design periods and reimagining them into something fresh and contemporary. Each collection unfolds as a narrative, evolving from concept to creation, with every element contributing to a greater story.

Kristian, who has lived and studied in Japan, seeks to unite Japanese aesthetics with Danish design, creating a characteristic twist on simplicity itself. His work is defined by the search for subtle, original details that elevate each piece with a unique signature. Drawing inspiration from art and sculpture, his creative process unfolds in new and exciting ways, always striving to craft designs that are both functional and timeless.

Together, they craft design that transcends time, poetic yet practical, expressive yet enduring.



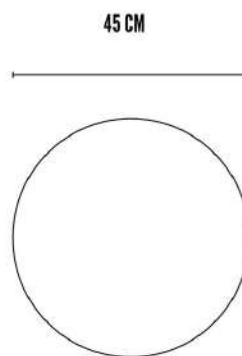
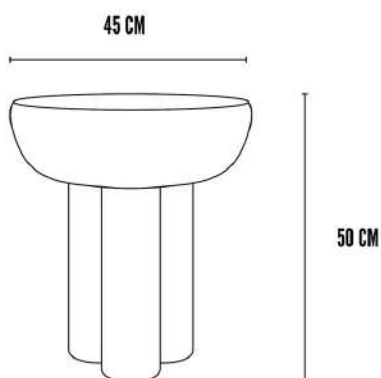
Crown Table, Tall - Smoked Forest

Main

SKU	251004	Product Family	Crown
Product name	Crown Table, Tall - Smoked Forest	Color	Smoked Forest
Product Type	Coffee Table	Size	Tall
		Unit	Piece

Logistics

EAN number	4251501412397	Package - CBM	0.162
Package height in cm	60.00	Package - Weight KG	10.000
Package width in cm	52.00	Tariff Code No	7013490000
Package length in cm	52.00	Country of origin	China
Suitable for Courier	Yes	Quantity of Inner Boxes	1



Crown Table, Tall - Smoked Forest

Product

Materials	Glass	Net weight in kg	8
Item Height in cm	50.00	Space Suitability	Indoor
Item width in cm	45.00	Strength Test	N/A
Item length in cm	45.00	FSC Wood	Yes

Upholstery

Fabric		Cigarette Test - CAL-117
Martindale	N/A	Cigarette Test - EN 1021-1
Colour Fastness to Light		Cigarette Test - BS5852 Part 1
Pilling		Match Flame Test - EN 1021-2
Oeko Tex		Ignition Source 5 (Crib 5) - BS 5852 Part 2
Fire Test Foam	N/A	NF P92-507 - Class M1

Crown Table, Tall - Smoked Forest

Family Description Text

The Crown Collection rises from the spirit of Brutalist architecture, where form is stripped to its essence and structure becomes poetry. A circular tabletop rests upon four cylindrical legs, a gesture at once simple and monumental. Here, the column is no longer hidden but celebrated, standing proud as both support and symbol, a rhythm of strength translated into sculptural form.

The legs stand apart, leaving a wide breath of space between edge and base. This distance creates the illusion of a surface suspended in air, a massive weight appearing to float with quiet ease. It is in this balance between gravity and lightness that Crown finds its voice, grounded yet ethereal, austere yet refined.

The collection comes in three distinct expressions, each offering its own character and material poetry. In hand-painted fiber concrete, Crown is raw and tactile, a modern echo of cast structures that carries the subtle marks of craftsmanship. In plated iron, it takes on a darker, weighty presence, recalling the endurance of stone and the uncompromising clarity of monumental forms while refined by its metallic surface. In mouth-blown glass, it becomes luminous and ethereal, capturing light within its sculptural body and revealing the fleeting beauty of translucency.

Whether placed in a private home or a public space, Crown does not simply furnish a room but inhabits it, offering a timeless expression of simplicity, weight, and grace.

Color Description

A rich, deep translucent shade infused with warm brown undertones, evoking the earthy depth of shadowed woodlands.

Crown Table, Tall - Smoked Forest

Maintenance Guide Description

Though delicate in appearance, the glass is strong and durable, designed for everyday use in decorative and functional objects. To maintain its pristine look, we recommend regular cleaning with a soft microfiber cloth and a gentle glass cleaner or diluted soap solution. Spray the cleaner onto the cloth (not directly on the glass) and wipe in smooth, circular motions. Always dry with a clean cloth to prevent streaks or water marks. Avoid abrasive cleaners, scouring pads, or acidic substances, which can dull or damage the glossy surface. For tables, use coasters or felt pads under objects to prevent scratches or thermal shock from hot items. While the glass is moisture-resistant, it's best to avoid prolonged exposure to standing water or humidity, especially for vases empty and dry them between uses to preserve the finish. Elegant, minimal, and low-maintenance, our glass combines lasting beauty with functional design. With a little care, your table or vase will retain its distinctive charm for years to come.

Materials Description

Our painted glass is created by applying pigment to the inner surface of the glass, a process that preserves the smooth clarity of the outer layer while enriching the material with depth and character. Though visually and tactilely identical to colored glass, the painted finish adds an artisanal dimension, with subtle variations that make each piece unique.

Durable yet refined, painted glass reflects light with the same purity and brilliance as coloured glass, offering a timeless surface that balances precision, craftsmanship, and contemporary expression.