

# 101

C O P E N H A G E N



## **Crown Table, Low - Coffee**

Designed by

Kristian Sofus Hansen &  
Tommy Hyldahl

# Crown Table, Low - Coffee

---

## Product Description

The Crown table in Coffee are cast in one piece formed as a circular table top carried by four cylinder shaped legs. Standing strong and proud, the table is inspired by the bare, structural elements of Brutalist architecture, celebrating the columns, and eluding an attitude towards too many details.

The chunky fiber concrete legs enable a large gap between the table edge and legs to emphasize the experience of a massive floating table top.

With its sculptural presence and impeccable craftsmanship, the Crown Table seamlessly integrates into both residential and commercial spaces, offering a timeless expression of modern simplicity. Combine the tall Crown table with the low Crown table for a dynamic and layered expression. Place as a coffee table or statement piece in a lounge, lobby, or living space.

## Designer Description

Tommy Hyldahl and Kristian Sofus Hansen intertwine their distinct sensibilities to create designs where storytelling, materiality, and timeless form meet in quiet harmony.

With a background in fashion, Tommy brings an intuitive eye for trends, colors, and textures. His process is one of layering histories, blending details and references from past design periods and reimagining them into something fresh and contemporary. Each collection unfolds as a narrative, evolving from concept to creation, with every element contributing to a greater story.

Kristian, who has lived and studied in Japan, seeks to unite Japanese aesthetics with Danish design, creating a characteristic twist on simplicity itself. His work is defined by the search for subtle, original details that elevate each piece with a unique signature. Drawing inspiration from art and sculpture, his creative process unfolds in new and exciting ways, always striving to craft designs that are both functional and timeless.

Together, they craft design that transcends time, poetic yet practical, expressive yet enduring.



# Crown Table, Low - Coffee

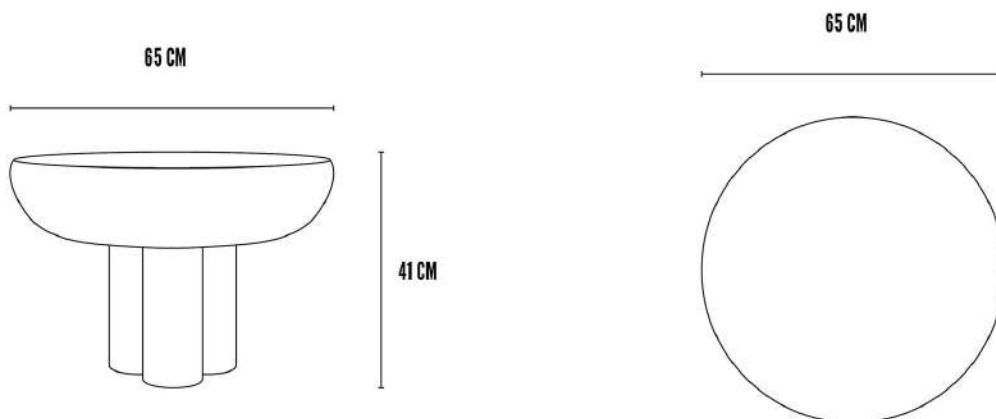
---

## Main

SKU	247033	Product Family	Crown
Product name	Crown Table, Low - Coffee	Color	Coffee
Product Type	Coffee Table	Size	Low
		Unit	Piece

## Logistics

EAN number	4251501412304	Package - CBM	0.286
Package height in cm	55.00	Package - Weight KG	18.960
Package width in cm	54.00	Tariff Code No	9403890090
Package length in cm	60.00	Country of origin	China
Suitable for Courier	Yes	Quantity of Inner Boxes	1



## Crown Table, Low - Coffee

---

### Product

Materials	Fiber Concrete	Net weight in kg	16
Item Height in cm	45.00	Space Suitability	Indoor
Item width in cm	45.00	Strength Test	N/A
Item length in cm	50.00	FSC Wood	N/A

### Upholstery

Fabric		Cigarette Test - CAL-117
Martindale	N/A	Cigarette Test - EN 1021-1
Colour Fastness to Light		Cigarette Test - BS5852 Part 1
Pilling		Match Flame Test - EN 1021-2
Oeko Tex		Ignition Source 5 (Crib 5) - BS 5852 Part 2
Fire Test Foam	N/A	NF P92-507 - Class M1

# Crown Table, Low - Coffee

---

## Family Description Text

The Crown Collection rises from the spirit of Brutalist architecture, where form is stripped to its essence and structure becomes poetry. A circular tabletop rests upon four cylindrical legs, a gesture at once simple and monumental. Here, the column is no longer hidden but celebrated, standing proud as both support and symbol, a rhythm of strength translated into sculptural form.

The legs stand apart, leaving a wide breath of space between edge and base. This distance creates the illusion of a surface suspended in air, a massive weight appearing to float with quiet ease. It is in this balance between gravity and lightness that Crown finds its voice, grounded yet ethereal, austere yet refined.

The collection comes in three distinct expressions, each offering its own character and material poetry. In hand-painted fiber concrete, Crown is raw and tactile, a modern echo of cast structures that carries the subtle marks of craftsmanship. In plated iron, it takes on a darker, weighty presence, recalling the endurance of stone and the uncompromising clarity of monumental forms while refined by its metallic surface. In mouth-blown glass, it becomes luminous and ethereal, capturing light within its sculptural body and revealing the fleeting beauty of translucency.

Whether placed in a private home or a public space, Crown does not simply furnish a room but inhabits it, offering a timeless expression of simplicity, weight, and grace.

## Color Description

Hand-painted in a deep, warm dark brown, this shade evokes the richness of earth and roasted beans. Its grounded elegance lends both warmth and depth, while brush stroke variations bring gentle shifts in tone and texture, making each piece entirely unique.

### Maintenance Guide Description

Hand-painted fiber concrete is strong and resilient, yet its artisanal finish requires thoughtful care. Dust surfaces regularly with a soft cloth, and for routine cleaning, use a damp cloth with mild, pH-neutral soap, then dry thoroughly. Avoid abrasive pads, solvents, or acidic and alkaline cleaners, as these can damage the hand-painted layer.

Always protect surfaces with coasters, mats, or felt pads to prevent scratches, stains, and heat marks. Wipe spills immediately to reduce the risk of absorption, and avoid prolonged exposure to standing water. To preserve its finish, keep furniture away from direct sunlight, high humidity, and extreme temperature changes.

With simple, mindful care, hand-painted fiber concrete furniture will maintain its unique character, depth, and elegance for years to come.

### Materials Description

Hand-painted fiber concrete combines strength with artistry, transforming an industrial material into a refined surface for pieces that enrich the home. Reinforced with fibers for durability, it offers resilience against everyday use while remaining lightweight and versatile. Each piece is painted by hand, creating subtle variations in tone and texture that make every surface unique.

The result is a finish that balances raw honesty with crafted detail, bringing depth, character, and individuality to contemporary interiors.