

101

C O P E N H A G E N



Crown Table, Low - Burned Black

Designed by

Kristian Sofus Hansen &
Tommy Hyldahl

Crown Table, Low - Burned Black

Product Description

The Crown table in Burned Black is shaped as a circular table top carried by four cylinder shaped legs. Standing strong and proud, the table is inspired by the bare, structural elements of Brutalist architecture, celebrating the columns, and eluding an attitude towards too many details.

The chunky aluminium legs enable a large gap between the table edge and legs to emphasize the experience of a massive floating table top.

With its sculptural presence and impeccable craftsmanship, the Crown Table seamlessly integrates into both residential and commercial spaces, offering a timeless expression of modern simplicity. Combine the tall Crown table with the low Crown table for a dynamic and layered expression. Place as a coffee table or statement piece in a lounge, lobby, or living space.

Designer Description

Tommy Hyldahl and Kristian Sofus Hansen intertwine their distinct sensibilities to create designs where storytelling, materiality, and timeless form meet in quiet harmony.

With a background in fashion, Tommy brings an intuitive eye for trends, colors, and textures. His process is one of layering histories, blending details and references from past design periods and reimagining them into something fresh and contemporary. Each collection unfolds as a narrative, evolving from concept to creation, with every element contributing to a greater story.

Kristian, who has lived and studied in Japan, seeks to unite Japanese aesthetics with Danish design, creating a characteristic twist on simplicity itself. His work is defined by the search for subtle, original details that elevate each piece with a unique signature. Drawing inspiration from art and sculpture, his creative process unfolds in new and exciting ways, always striving to craft designs that are both functional and timeless.

Together, they craft design that transcends time, poetic yet practical, expressive yet enduring.



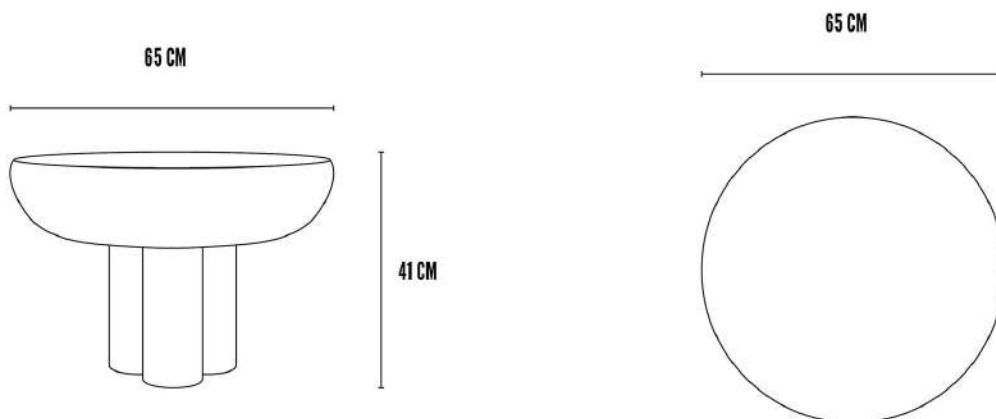
Crown Table, Low - Burned Black

Main

SKU	221027	Product Family	Crown
Product name	Crown Table, Low - Burned Black	Color	Burned Black
Product Type	Coffee Table	Size	Low
		Unit	Piece

Logistics

EAN number	4251501407287	Package - CBM	0.300
Package height in cm	50.00	Package - Weight KG	36.000
Package width in cm	74.00	Tariff Code No	9403208000
Package length in cm	74.00	Country of origin	China
Suitable for Courier	No	Quantity of Inner Boxes	1



Crown Table, Low - Burned Black

Product

Materials	Powder Coated Iron	Net weight in kg	32
Item Height in cm	41.00	Space Suitability	Indoor
Item width in cm	65.00	Strength Test	N/A
Item length in cm	65.00	FSC Wood	N/A

Upholstery

Fabric		Cigarette Test - CAL-117
Martindale	N/A	Cigarette Test - EN 1021-1
Colour Fastness to Light		Cigarette Test - BS5852 Part 1
Pilling		Match Flame Test - EN 1021-2
Oeko Tex		Ignition Source 5 (Crib 5) - BS 5852 Part 2
Fire Test Foam	N/A	NF P92-507 - Class M1

Crown Table, Low - Burned Black

Family Description Text

The Crown Collection rises from the spirit of Brutalist architecture, where form is stripped to its essence and structure becomes poetry. A circular tabletop rests upon four cylindrical legs, a gesture at once simple and monumental. Here, the column is no longer hidden but celebrated, standing proud as both support and symbol, a rhythm of strength translated into sculptural form.

The legs stand apart, leaving a wide breath of space between edge and base. This distance creates the illusion of a surface suspended in air, a massive weight appearing to float with quiet ease. It is in this balance between gravity and lightness that Crown finds its voice, grounded yet ethereal, austere yet refined.

The collection comes in three distinct expressions, each offering its own character and material poetry. In hand-painted fiber concrete, Crown is raw and tactile, a modern echo of cast structures that carries the subtle marks of craftsmanship. In plated iron, it takes on a darker, weighty presence, recalling the endurance of stone and the uncompromising clarity of monumental forms while refined by its metallic surface. In mouth-blown glass, it becomes luminous and ethereal, capturing light within its sculptural body and revealing the fleeting beauty of translucency.

Whether placed in a private home or a public space, Crown does not simply furnish a room but inhabits it, offering a timeless expression of simplicity, weight, and grace.

Color Description

Burned Black is a deep, charcoal-black tone enriched with a subtle warm red undercurrent. Its matte powder-coated surface delivers a smooth, consistent appearance, while gentle tonal shifts emerge as light moves across it. Bold yet quietly warm, Burned Black brings depth, richness, and a refined architectural presence to any palette.

Crown Table, Low - Burned Black

Maintenance Guide Description

Keep powder coated iron clean by wiping it regularly with a soft, dry microfiber cloth. For deeper cleaning, use a mild soap solution on a damp cloth, then rinse and dry thoroughly to prevent moisture from sitting on the surface. Avoid abrasive pads, harsh chemicals, and solvent-based cleaners, as these can weaken or scratch the powder coating. Always use coasters, placemats, and soft pads to prevent scratches and stains. This piece is designed for indoor use only; keep it away from prolonged moisture or high-humidity environments to preserve the finish. With gentle care, the surface will remain smooth, protective, and long-lasting.

Materials Description

Powder-coated iron combines the strength of solid iron with a protective, heat-cured powder coating. This finish creates a smooth, durable layer that helps guard against rust, chipping, and everyday wear. The powder coat offers consistent color and texture while shielding the iron beneath from moisture and environmental exposure. With proper care, powder-coated iron delivers long-lasting durability and a clean, modern appearance suitable for both indoor and covered outdoor use.