

101

C O P E N H A G E N



Bow Bench - Coffee

Designed by

Kristian Sofus Hansen &
Tommy Hyldahl

Bow Bench - Coffee

Product Description

Like a piece of architecture gone astray, the Bow bench draws parallels to the old aqueducts from the Roman Empire and classic architectural geometry.

Repetition of arches create a beautiful, sleek, yet somewhat box silhouette and the long legs make it seem narrow and light even though the character is anything but insignificant. The bench is cast in lightweight fiber concrete to create a unique textured surface and increase mobility.

It is hand painted with multiple layers of paint, creating a strong and resistant surface.

Perfect as a sculptural seating option in hallways, bedrooms, or living spaces, or as a display surface for books, art, and decorative objects. Complement with a Bow console in the same form.

For indoor use.

Designer Description

Tommy Hyldahl and Kristian Sofus Hansen intertwine their distinct sensibilities to create designs where storytelling, materiality, and timeless form meet in quiet harmony.

With a background in fashion, Tommy brings an intuitive eye for trends, colors, and textures. His process is one of layering histories, blending details and references from past design periods and reimagining them into something fresh and contemporary. Each collection unfolds as a narrative, evolving from concept to creation, with every element contributing to a greater story.

Kristian, who has lived and studied in Japan, seeks to unite Japanese aesthetics with Danish design, creating a characteristic twist on simplicity itself. His work is defined by the search for subtle, original details that elevate each piece with a unique signature. Drawing inspiration from art and sculpture, his creative process unfolds in new and exciting ways, always striving to craft designs that are both functional and timeless.

Together, they craft design that transcends time, poetic yet practical, expressive yet enduring.



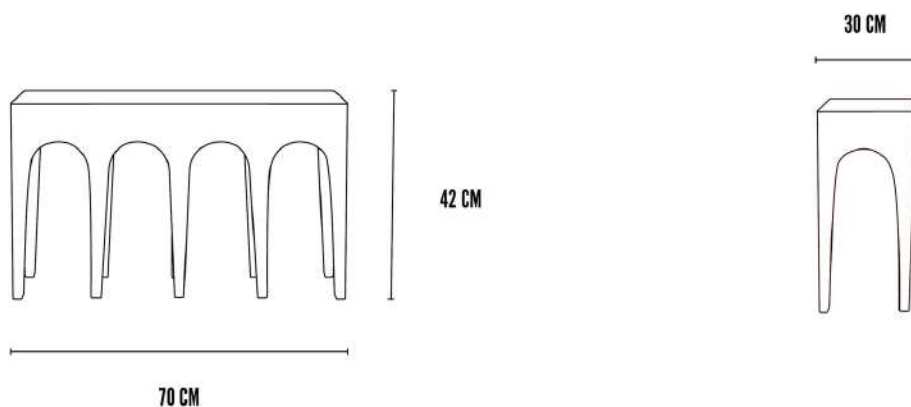
Bow Bench - Coffee

Main

SKU	214013	Product Family	Bow
Product name	Bow Bench - Coffee	Color	Coffee
Product Type	Bench	Size	Regular
		Unit	Piece

Logistics

EAN number	4251501406761	Package - CBM	0.158
Package height in cm	52.00	Package - Weight KG	17.600
Package width in cm	39.00	Tariff Code No	9401800000
Package length in cm	78.00	Country of origin	China
Suitable for Courier	Yes	Quantity of Inner Boxes	1



Bow Bench - Coffee

Product

Materials	Fiber Concrete	Net weight in kg	14.6
Item Height in cm	42.00	Space Suitability	Indoor
Item width in cm	30.00	Strength Test	N/A
Item length in cm	70.00	FSC Wood	N/A

Upholstery

Fabric		Cigarette Test - CAL-117
Martindale	N/A	Cigarette Test - EN 1021-1
Colour Fastness to Light		Cigarette Test - BS5852 Part 1
Pilling		Match Flame Test - EN 1021-2
Oeko Tex		Ignition Source 5 (Crib 5) - BS 5852 Part 2
Fire Test Foam	N/A	NF P92-507 - Class M1

Bow Bench - Coffee

Family Description Text

The Bow Collection is a study in timeless geometry, where ancient echoes meet modern design. Inspired by the strength of Roman aqueducts and the quiet rhythm of repetition, each piece is both architectural and poetic.

Arches define its silhouette, sculptural yet refined, creating balance between presence and lightness. Cast in lightweight fiber concrete, the collection carries the impression of permanence while remaining unexpectedly mobile. Its surface is hand-painted, textured with depth, and crafted to endure.

The Bow Collection is more than furniture. It is architecture reimagined for the home, a dialogue between weight and grace, durability and elegance. A celebration of form that inspires not only through function, but through the poetry of design made to last.

Color Description

Hand-painted in a deep, warm dark brown, this shade evokes the richness of earth and roasted beans. Its grounded elegance lends both warmth and depth, while brush stroke variations bring gentle shifts in tone and texture, making each piece entirely unique.

Maintenance Guide Description

Hand-painted fiber concrete is strong and resilient, yet its artisanal finish requires thoughtful care. Dust surfaces regularly with a soft cloth, and for routine cleaning, use a damp cloth with mild, pH-neutral soap, then dry thoroughly. Avoid abrasive pads, solvents, or acidic and alkaline cleaners, as these can damage the hand-painted layer.

Always protect surfaces with coasters, mats, or felt pads to prevent scratches, stains, and heat marks. Wipe spills immediately to reduce the risk of absorption, and avoid prolonged exposure to standing water. To preserve its finish, keep furniture away from direct sunlight, high humidity, and extreme temperature changes.

With simple, mindful care, hand-painted fiber concrete furniture will maintain its unique character, depth, and elegance for years to come.

Materials Description

Hand-painted fiber concrete combines strength with artistry, transforming an industrial material into a refined surface for pieces that enrich the home. Reinforced with fibers for durability, it offers resilience against everyday use while remaining lightweight and versatile. Each piece is painted by hand, creating subtle variations in tone and texture that make every surface unique.

The result is a finish that balances raw honesty with crafted detail, bringing depth, character, and individuality to contemporary interiors.