

101

C O P E N H A G E N



Big Foot Coffee Table, Big - Coffee

Designed by

Kristian Sofus Hansen &
Tommy Hyldahl

Big Foot Coffee Table, Big - Coffee

Product Description

At first glance, the Big Foot Coffee Table exudes of weightiness and solidity, but upon closer examination, you'll discover a delightful surprise. Crafted from fiber concrete, despite its size, the coffee table is astonishingly lightweight and effortlessly mobile, offering a harmonious balance of style and convenience.

Drawing inspiration from the realms of brutalist architecture and contemporary sculpture, the Big Foot Coffee table showcases a distinctive design aesthetic that is sure to turn heads. The cylindrical legs exude a sense of modernity and sophistication, while the textured and painted surfaces add an intriguing depth and visual appeal. The coffee table possesses a unique charisma that effortlessly sets it apart from the crowd.

Perfectly suited for a spacious lounge or living room, the table's generous surface provides room for books, decorative objects, or daily essentials.

Designer Description

Tommy Hyldahl and Kristian Sofus Hansen intertwine their distinct sensibilities to create designs where storytelling, materiality, and timeless form meet in quiet harmony.

With a background in fashion, Tommy brings an intuitive eye for trends, colors, and textures. His process is one of layering histories, blending details and references from past design periods and reimagining them into something fresh and contemporary. Each collection unfolds as a narrative, evolving from concept to creation, with every element contributing to a greater story.

Kristian, who has lived and studied in Japan, seeks to unite Japanese aesthetics with Danish design, creating a characteristic twist on simplicity itself. His work is defined by the search for subtle, original details that elevate each piece with a unique signature. Drawing inspiration from art and sculpture, his creative process unfolds in new and exciting ways, always striving to craft designs that are both functional and timeless.

Together, they craft design that transcends time, poetic yet practical, expressive yet enduring.



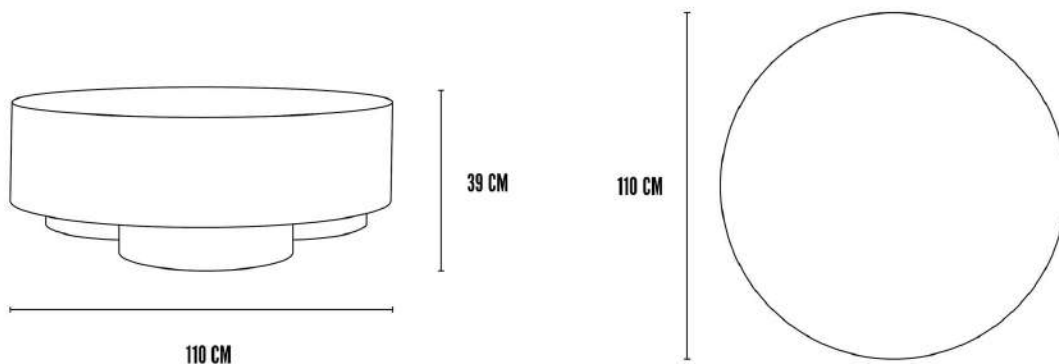
Big Foot Coffee Table, Big - Coffee

Main

SKU	212014	Product Family	Big Foot
Product name	Big Foot Coffee Table, Big - Coffee	Color	Coffee
Product Type	Coffee Table	Size	Big
		Unit	Piece

Logistics

EAN number	4251501406143	Package - CBM	0.789
Package height in cm	53.00	Package - Weight KG	42.000
Package width in cm	122.00	Tariff Code No	9403890090
Package length in cm	122.00	Country of origin	China
Suitable for Courier	No	Quantity of Inner Boxes	1



Big Foot Coffee Table, Big - Coffee

Product

Materials	Fiber Concrete	Net weight in kg	38
Item Height in cm	60.00	Space Suitability	Indoor
Item width in cm	110.00	Strength Test	N/A
Item length in cm	110.00	FSC Wood	N/A

Upholstery

Fabric		Cigarette Test - CAL-117
Martindale	N/A	Cigarette Test - EN 1021-1
Colour Fastness to Light		Cigarette Test - BS5852 Part 1
Pilling		Match Flame Test - EN 1021-2
Oeko Tex		Ignition Source 5 (Crib 5) - BS 5852 Part 2
Fire Test Foam	N/A	NF P92-507 - Class M1

Big Foot Coffee Table, Big - Coffee

Family Description Text

The Big Foot Collection is more than furniture; it is a sculptural language of bold forms and quiet strength. Rooted in the spirit of the 1970s yet reimagined for the present, it carries a presence that feels both commanding and inviting. Inspired by brutalist architecture and contemporary sculpture, each piece is anchored by its iconic cylindrical legs, modern in expression and timeless in character, lending every design a sense of quiet monumentality.

Within the collection, two worlds converge: the warmth of upholstery and the raw allure of fiber concrete. The upholstered pieces wrap their geometric silhouettes in softness, balancing resilience with comfort and offering a tactile invitation to pause, sink in, and stay. The fiber concrete designs, by contrast, suggest weight and permanence yet reveal themselves as astonishingly light, effortless to move, and full of surprising ease.

Every surface whispers a story. Upholstered in rich textiles, the pieces exude warmth and refinement, while the hand-painted concrete reveals a raw beauty that recalls the poetry of architecture and the fluid grace of sculpture. Together they speak in contrasts of softness and strength, permanence and change, intimacy and bold expression, woven into a harmonious dialogue of form and feeling.

The Big Foot Collection is sculpture for living. Each piece holds a commanding presence, whether standing as a centerpiece or quietly shaping the atmosphere of a room. With bold forms and hand-painted details, the collection transforms everyday function into art, turning spaces into sanctuaries where design and life merge seamlessly.

Color Description

Hand-painted in a deep, warm dark brown, this shade evokes the richness of earth and roasted beans. Its grounded elegance lends both warmth and depth, while brush stroke variations bring gentle shifts in tone and texture, making each piece entirely unique.

Big Foot Coffee Table, Big - Coffee

Maintenance Guide Description

Hand-painted fiber concrete is strong and resilient, yet its artisanal finish requires thoughtful care. Dust surfaces regularly with a soft cloth, and for routine cleaning, use a damp cloth with mild, pH-neutral soap, then dry thoroughly. Avoid abrasive pads, solvents, or acidic and alkaline cleaners, as these can damage the hand-painted layer.

Always protect surfaces with coasters, mats, or felt pads to prevent scratches, stains, and heat marks. Wipe spills immediately to reduce the risk of absorption, and avoid prolonged exposure to standing water. To preserve its finish, keep furniture away from direct sunlight, high humidity, and extreme temperature changes.

With simple, mindful care, hand-painted fiber concrete furniture will maintain its unique character, depth, and elegance for years to come.

Materials Description

Hand-painted fiber concrete combines strength with artistry, transforming an industrial material into a refined surface for pieces that enrich the home. Reinforced with fibers for durability, it offers resilience against everyday use while remaining lightweight and versatile. Each piece is painted by hand, creating subtle variations in tone and texture that make every surface unique.

The result is a finish that balances raw honesty with crafted detail, bringing depth, character, and individuality to contemporary interiors.